

BMP002 - ADJUSTABLE SWING JIB

www.bremco.com.au

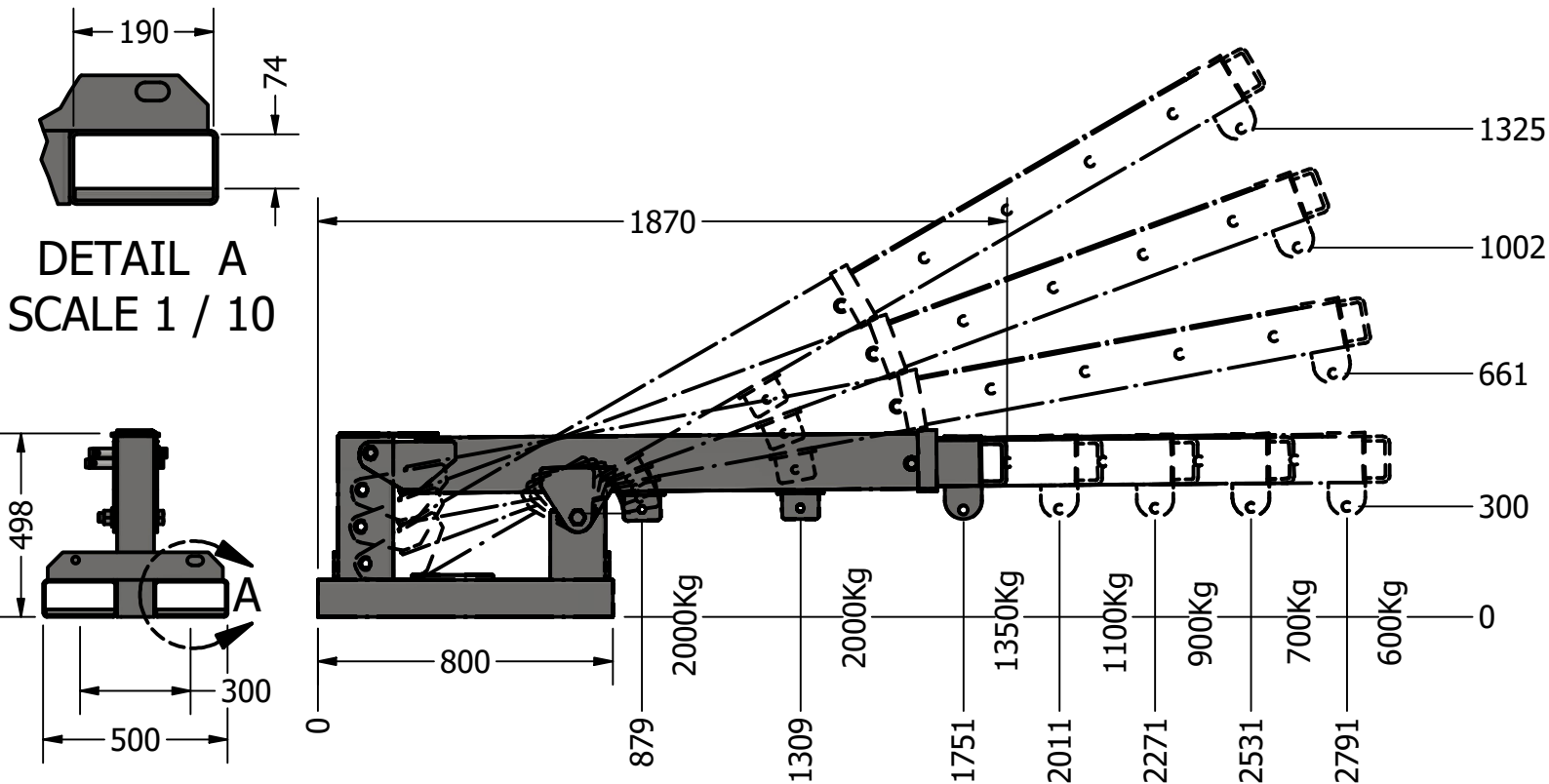
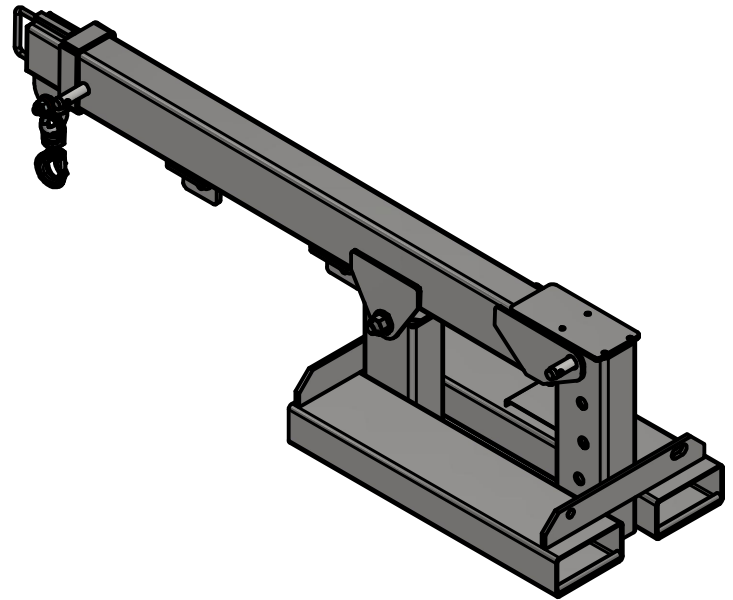


Forklift Extension Jibs are an economical way to maneuver items in confined spaces using your Fork Truck to reach almost 2.8 metres from the mast.

Multi angle positioning allows extra height and load capacity using the 4 stage locating pin.

The Bremco Extension Jib is a fully certified lifting device and comes standard with a compliance plate attached.

Tip: When lifting with a jib attachment, remember the netlifting capacity should be 0.8 times your Forklift capacity to allow for a swinging load.



FINISH: P/C YELLOW & GAL

WLL: SEE LOAD CHART

HCoG: 719

VCoG: 280

TARE: 142 kg

STANDARDS: AS2359

NOTES:

SPECIFICATIONS SUBJECT TO CHANGE WITHOUT NOTICE

This document is the property of Bremco Metal Products P/L. It must not be copied or reproduced without the written consent of the company.

BREMCO METAL PRODUCTS

BMP002

DRAWING #:

002

SHEET #:

1 of 1

DATE #:

22/04/2021

REVISION #:

B