

BMP111 - FORKLIFT GOODS CAGE

www.bremco.com.au



Product Description

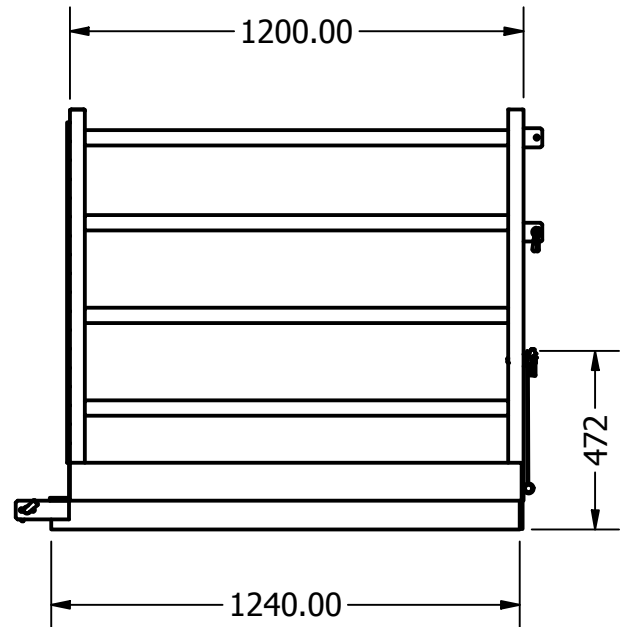
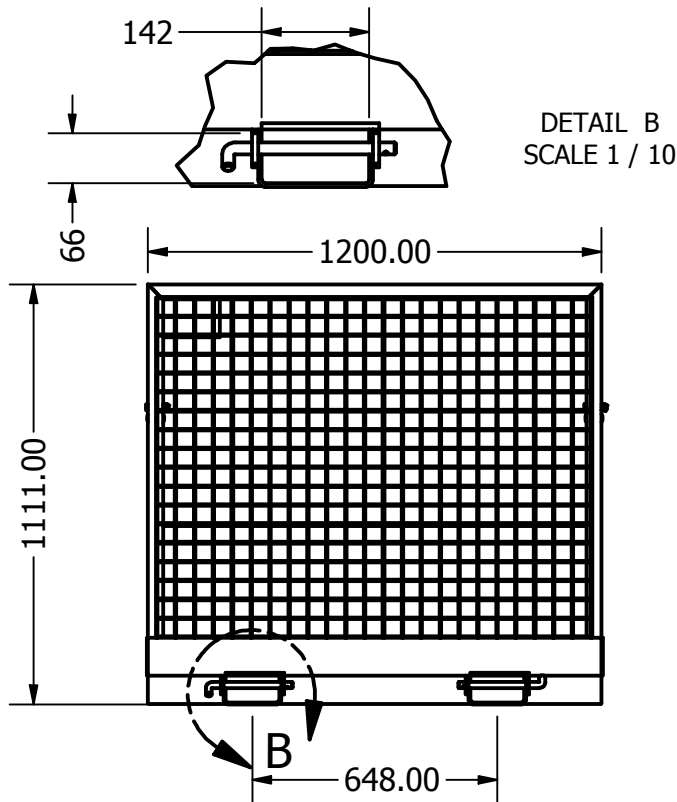
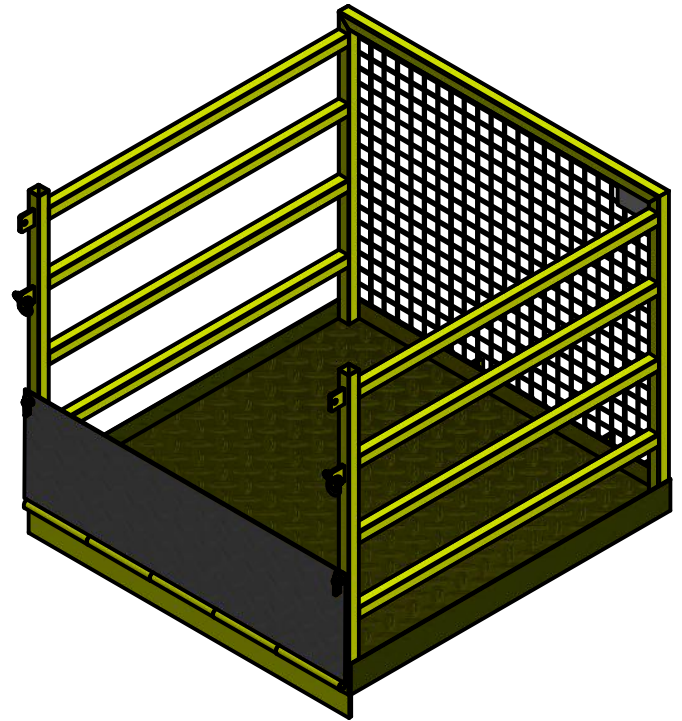
Made in our Australian Factory

The Forklift Goods Cage is manufactured to suit a standard front lift forklift and allows storage and transport of large items such as furniture and white goods.

A standard hinged ramp is permanently attached to the front of the cage, offering easy access by trolley.

Compliance plate and serial number attached.

We can also custom fabricate a forklift goods cage to suit your requirements.



FINISH: Safety Yellow

WLL: 1000 Kg

HCoG: 675mm VCoG: 246mm

TARE: 151.852 kg

STANDARDS: AS2359.1

NOTES:

SPECIFICATIONS SUBJECT TO CHANGE WITHOUT NOTICE

This document is the property of Bremco Metal Products P/L. It must not be copied or reproduced without the written consent of the company.

BREMCO METAL PRODUCTS

BMP111

DRAWING #: 111-SPEC

SHEET #: 1 of 1

DATE #: 10/02/2017

REVISION: A