

BMP011 - FORKLIFT FIXED JIB

www.bremco.com.au



Product Description

The Bremco Forklift Fixed Jib allows you to lift and reach with efficiency. Take advantage of the special slip ring, which can be moved along the saw tooth plate to achieve the optimum lifting capacity.

Specifications

WLL: SEE BELOW

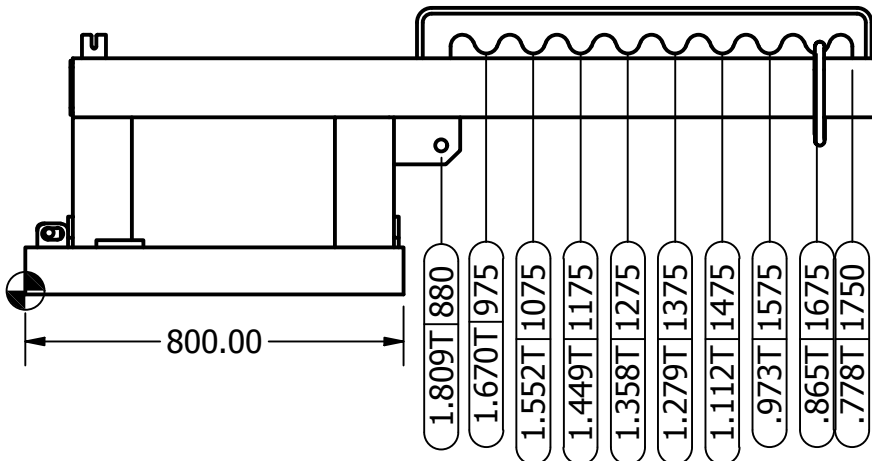
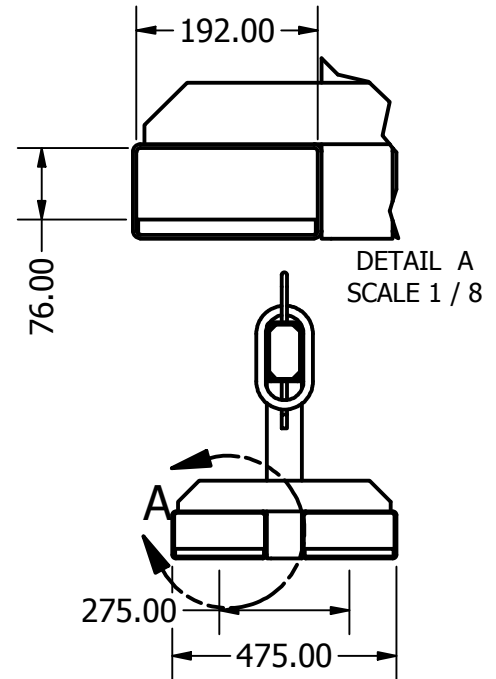
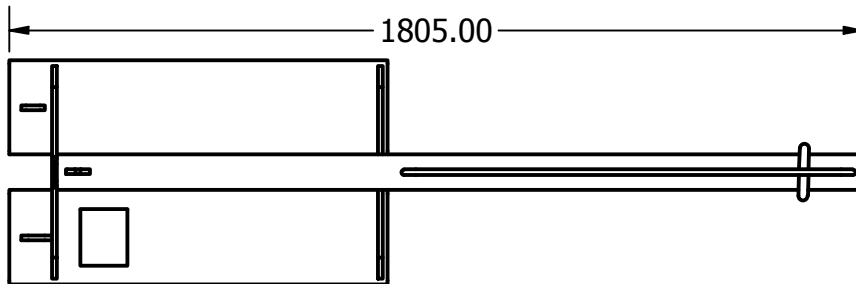
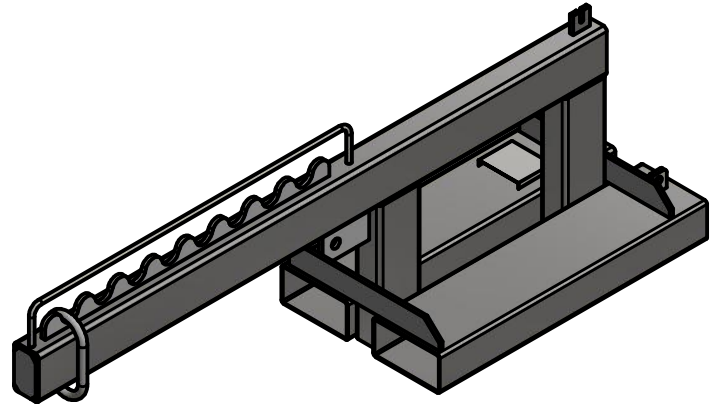
Tyne Pockets: 192mm x 76mm

Tyne Pocket Centres: 275mm

Finish: hot dip galvanised

NB: Compliance plate and serial number attached

Unit comes standard with Hook, Shackles & Pins



FINISH: HDG

WLL: SEE ABOVE

HCoG: 622

VCoG: 224

TARE: 65.852 kg

STANDARDS: AS2359

NOTES:

SPECIFICATIONS SUBJECT TO CHANGE WITHOUT NOTICE

This document is the property of Bremco Metal Products P/L. It must not be copied or reproduced without the written consent of the company.

BREMCO METAL PRODUCTS

BMP011

DRAWING #: 011

SHEET #: 1 of 1

DATE #: 22/06/2019

REVISION: A