

BMP012-15 - FORKLIFT CARPET POLE ATTACHMENT

www.bremco.com.au

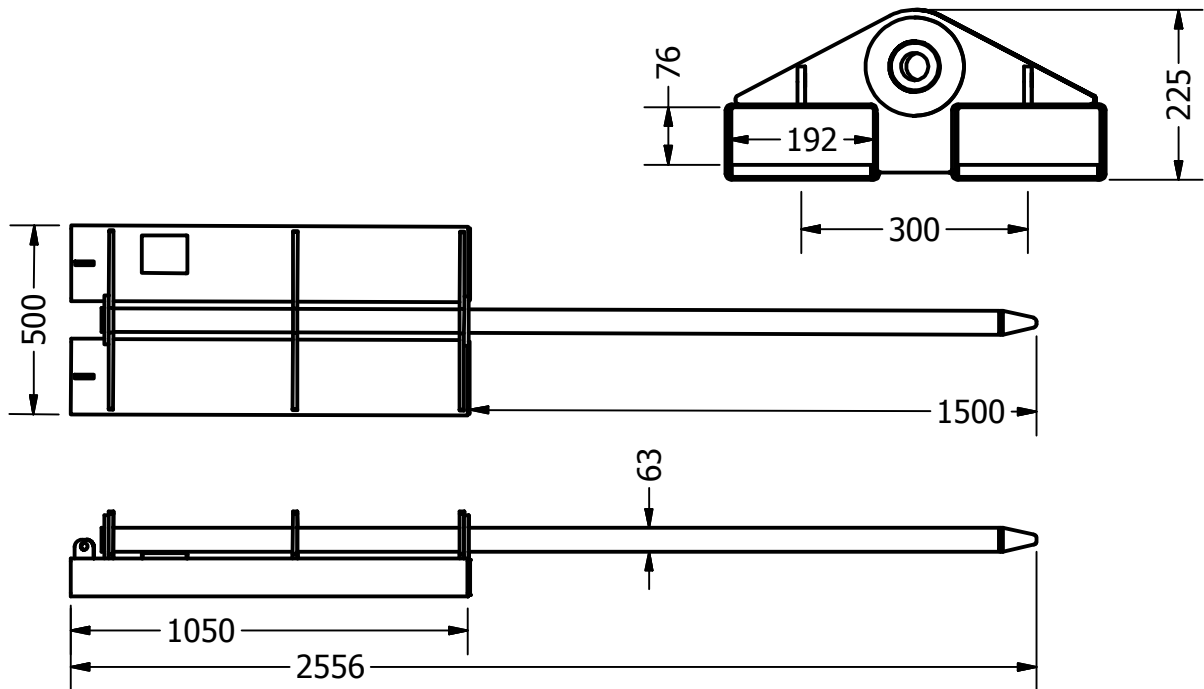
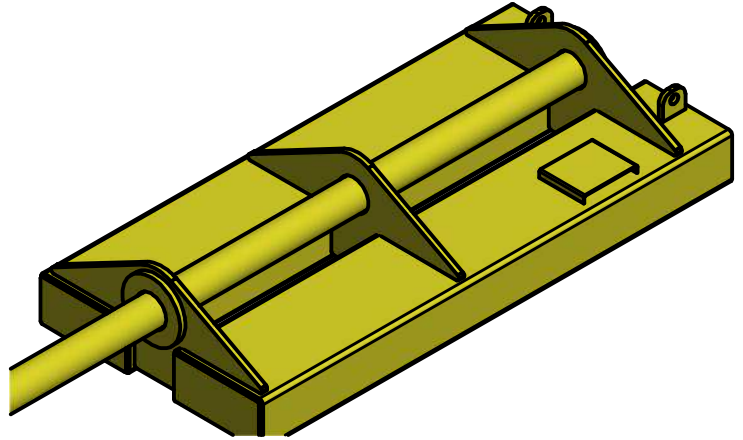
bremco
1300 273 626

Product Description

Keep your tyres and move your long rolls. Forklift carpet prongs are the ideal way to handle carpet rolls, artificial turf, set up exhibitions or transport fabrics, cable, coil or steel + poly pipe. As a slip on attachment, the BMP012 removes the need for fork tyne removal and is made of high tensile steel.

Specifications

- WLL: 500kg
- Tyne Pockets: 192mm x 76mm
- Tyne Pocket Centres: 300mm



FINISH: SAFETY YELLOW ENAMEL

WLL: 500 Kg

HCoG: 875

VCoG: 105

TARE: 93.763 kg

STANDARDS: AS 2359

NOTES:

SPECIFICATIONS SUBJECT TO CHANGE
WITHOUT NOTICE

This document is the property of
Bremco Metal Products P/L.
It must not be copied or
reproduced
without the written consent of the
company.

BREMCO METAL PRODUCTS

BMP012-15

DRAWING #:
BMP012-15-SPEC

SHEET #:
1 of 1

DATE:
17/03/2017

REVISION:
A