

# BMP015-JS-09 - FORKLIFT TIPPER BIN

www.bremco.com.au

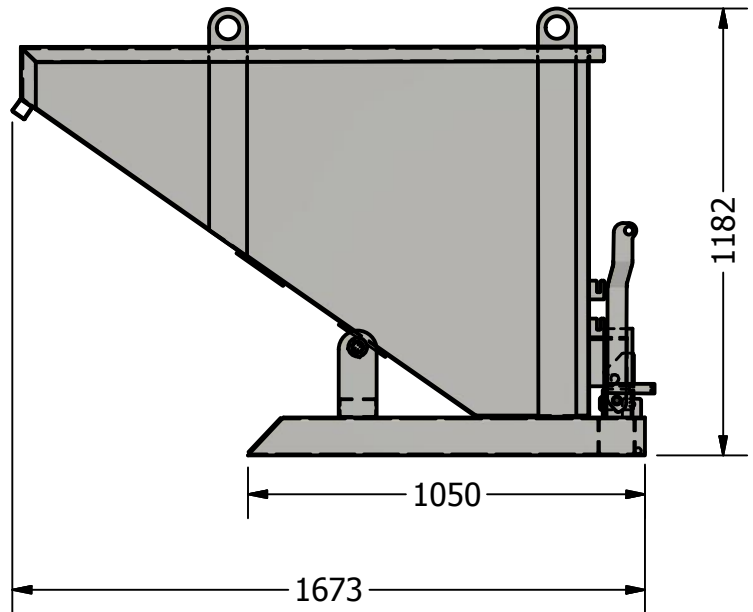
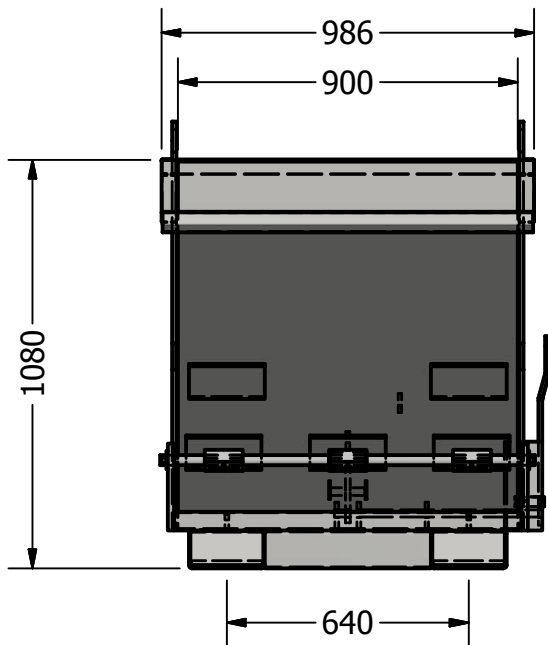
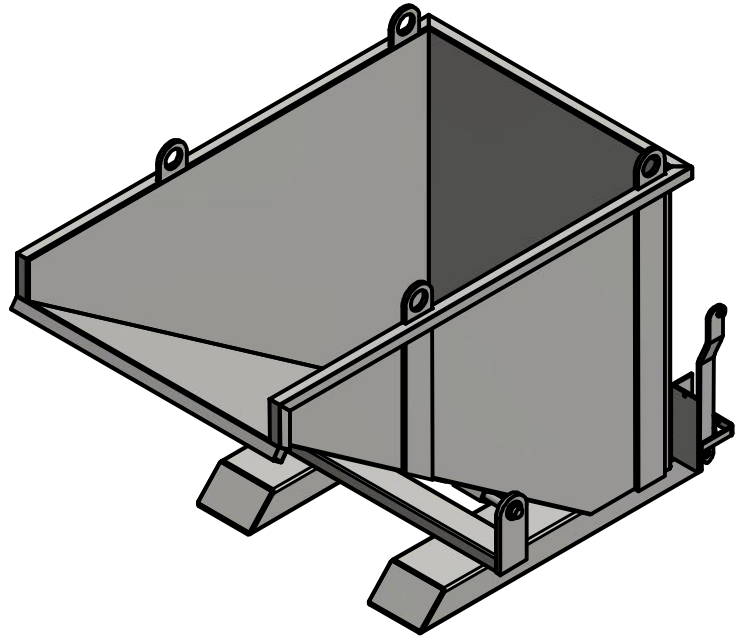
**bremco**  
1300 273 626

## PRODUCT DESCRIPTION

Lift or tip? Why not both? Similar in features to the OS style bin, this unit has the added advantage of overhead crane lifting. This feature allows for positioning of the bin in awkward locations. The unit features a double locking device.

## SPECIFICATIONS

- Tyne Pocket: 190mm x 70mm
- Tyne Pocket Centres: 640mm
- Finish: hot dip galvanised
- NB: Compliance plate & serial number attached
- WLL: 1000kg



FINISH: HOT DIP GALVANISED

WLL: 1000Kg

HCoG: 615      VCoG: 460

TARE: 224.273 kg

STANDARDS: AS 4991

### NOTES:

SPECIFICATIONS SUBJECT TO CHANGE WITHOUT NOTICE

This document is the property of Bremco Metal Products P/L. It must not be copied or reproduced without the written consent of the company.

BREMCO METAL PRODUCTS

BMP015-JS-09

DRAWING #: 015-JS-09-SPEC

SHEET #: 1 of 1

DATE: 17/02/2017

REVISION: A

# BMP015-JS-12 - FORKLIFT TIPPER BIN

www.bremco.com.au

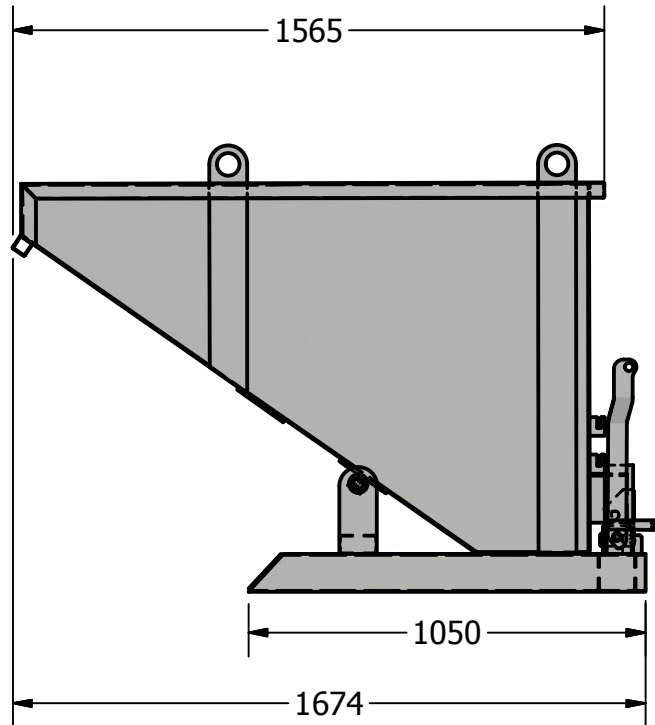
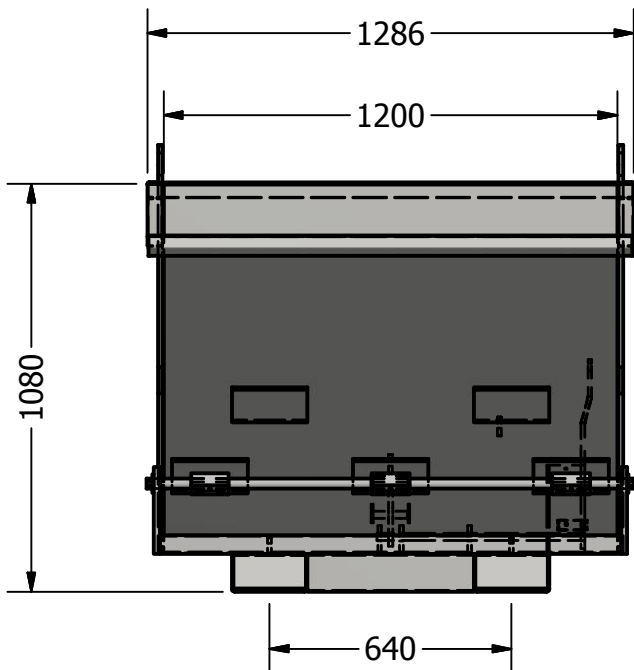
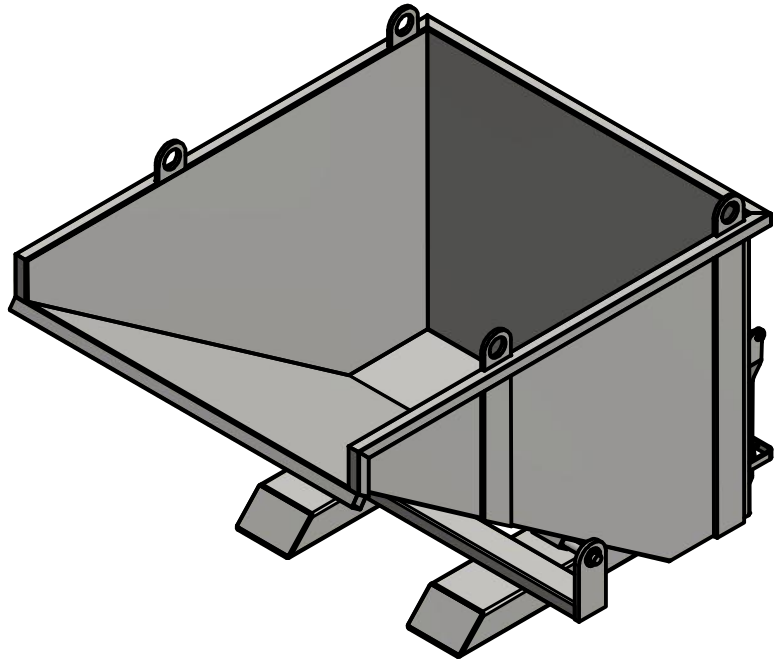
**bremco**  
1300 273 626

## PRODUCT DESCRIPTION

Lift or tip? Why not both? Similar in features to the OS style bin, this unit has the added advantage of overhead crane lifting. This feature allows for positioning of the bin in awkward locations. The unit features a double locking device

## SPECIFICATIONS

- Tyne Pocket: 190mm x 70mm
- Tyne Pocket Centres: 640mm
- Finish: hot dip galvanised
- NB: Compliance plate & serial number attached
- WLL: 1000kg



FINISH: HOT DIP GALVANISED

WLL: 1000Kg

HCoG: 623

VCoG: 425

TARE: 247.481 kg

STANDARDS: AS 4991

### NOTES:

SPECIFICATIONS SUBJECT TO CHANGE WITHOUT NOTICE

This document is the property of Bremco Metal Products P/L. It must not be copied or reproduced without the written consent of the company.

BREMCO METAL PRODUCTS

BMP015-JS-12

DRAWING #: 015-JS-12-SPEC

SHEET #: 1 of 1

DATE: 17/02/2017

REVISION: A

# BMP015-JS-15 - FORKLIFT TIPPER BIN

www.bremco.com.au

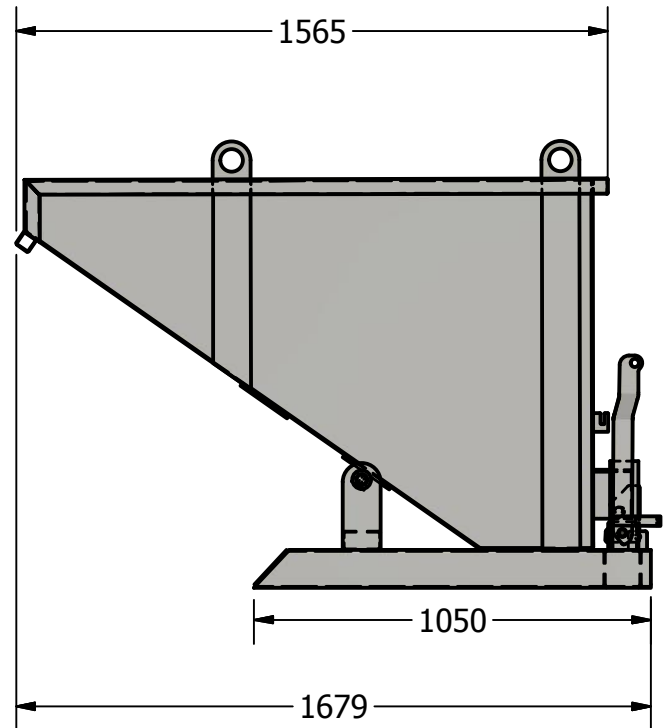
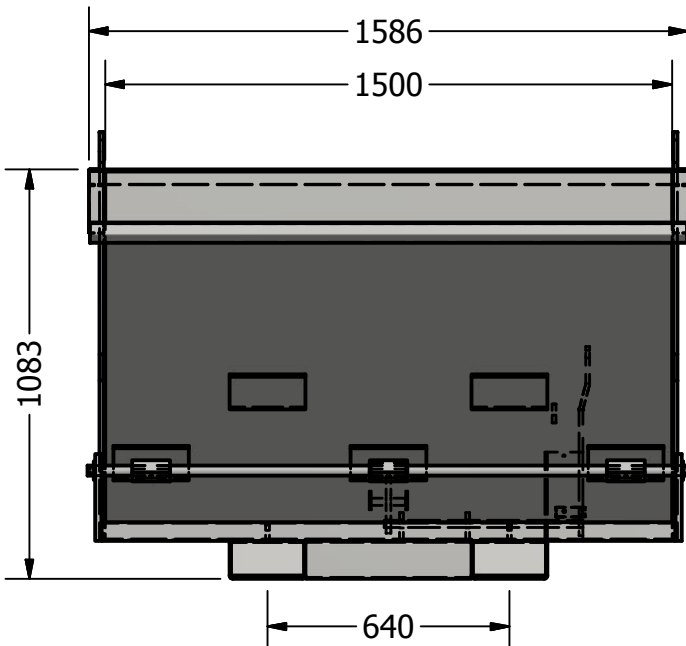
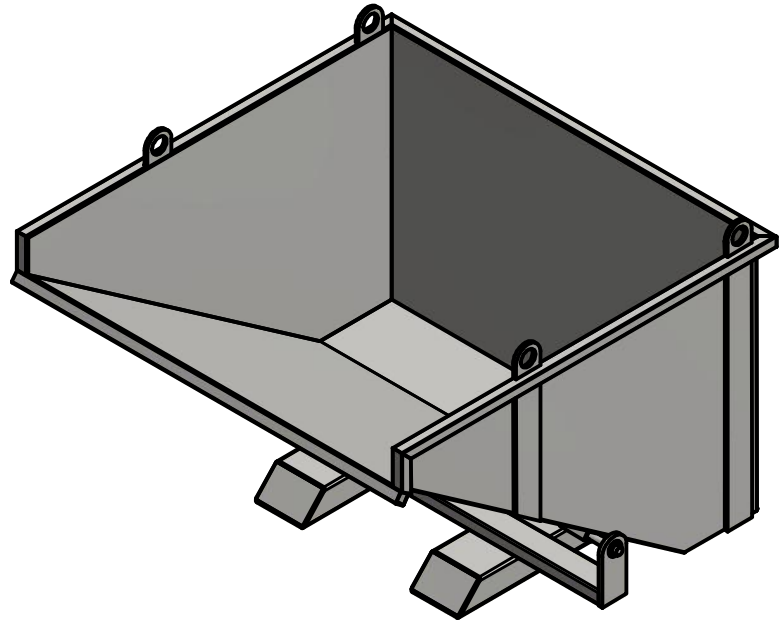
**bremco**  
1300 273 626

## PRODUCT DESCRIPTION

Lift or tip? Why not both? Similar in features to the OS style bin, this unit has the added advantage of overhead crane lifting. This feature allows for positioning of the bin in awkward locations. The unit features a double locking device

## SPECIFICATIONS

- Tyne Pocket: 190mm x 67mm
- Tyne Pocket Centres: 725mm
- Finish: hot dip galvanised
- NB: Compliance plate & serial number attached
- WLL: 1000kg



FINISH: HOT DIP GALVANISED

WLL: 1000KG

HCoG: 633

VCoG: 465

TARE: 270.610 kg

STANDARDS: AS4991

### NOTES:

SPECIFICATIONS SUBJECT TO CHANGE WITHOUT NOTICE

This document is the property of Bremco Metal Products P/L. It must not be copied or reproduced without the written consent of the company.

BREMCO METAL PRODUCTS

BMP015-JS-15

DRAWING #: 015-JS-15-SPEC

SHEET #: 1 of 1

DATE: 17/02/2017

REVISION: A