

BMP015-JS09-OLD - FORKLIFT TIPPER BIN

www.bremco.com.au



PRODUCT DESCRIPTION

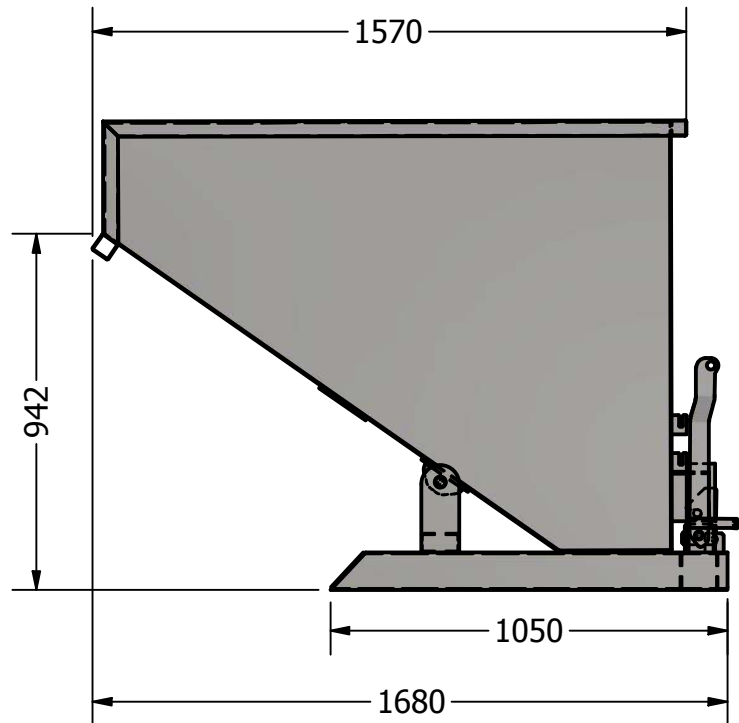
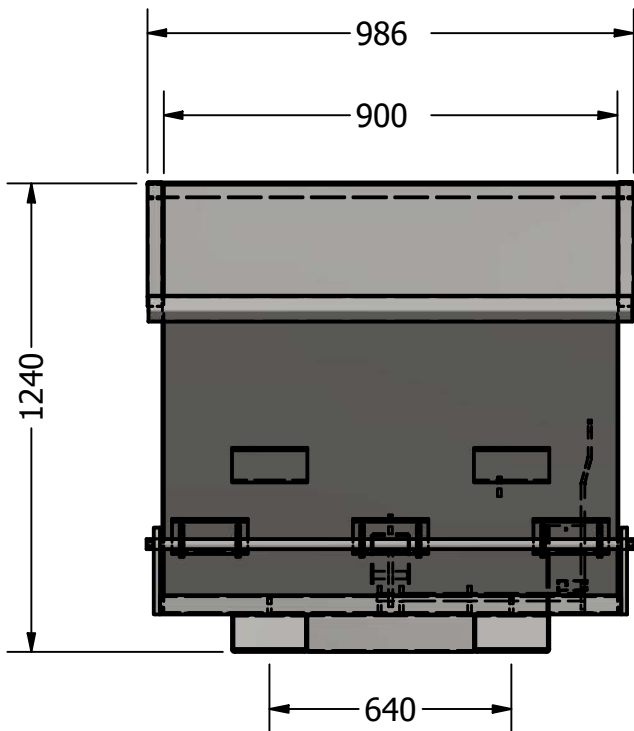
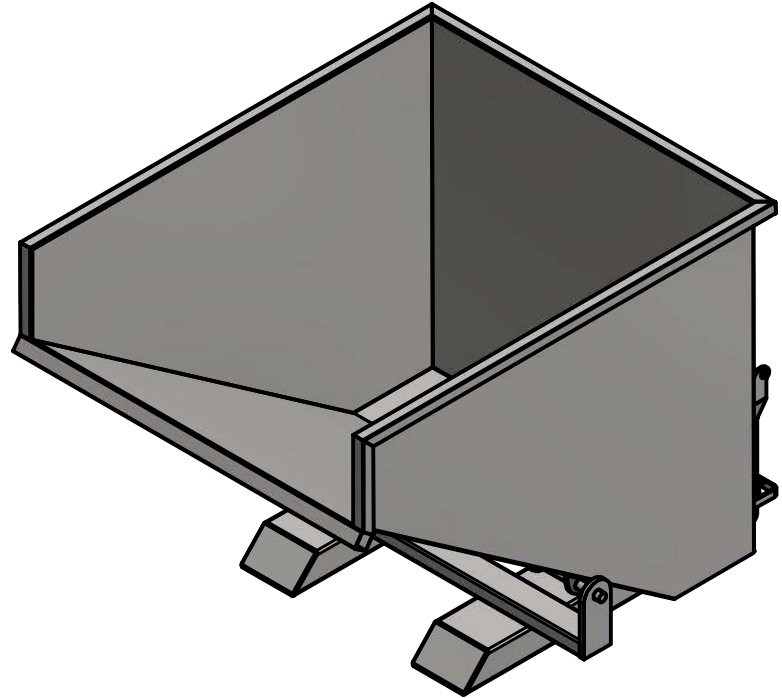
The Bremco JS-OLD tipper bin provides a budget option in the JS range for those who don't require crane lift capabilities.

With taller sides, this increases the capacity to approximately 0.9m³

The unit features a double locking device and all the usual features of our tipper bin range.

SPECIFICATIONS

- Tyne Pocket: 190mm x 70mm
- Tyne Pocket Centres: 640mm
- Finish: Powder Coated
- NB: Compliance plate & serial number attached
- WLL: 1000kg



FINISH: Powder Coated

WLL: 1000Kg

HCoG: 643

VCoG: 489

TARE: 213 kg

STANDARDS: AS 4991

NOTES:

SPECIFICATIONS SUBJECT TO CHANGE WITHOUT NOTICE

This document is the property of Bremco Metal Products P/L. It must not be copied or reproduced without the written consent of the company.

BREMCO METAL PRODUCTS

BMP015-JS09-OLD

DRAWING #: 015-JS-OLD-SPEC

DATE: 08-02-2019

SHEET #: 1 of 1

REVISION: A

BMP015-JS12-OLD - FORKLIFT TIPPER BIN

www.bremco.com.au



PRODUCT DESCRIPTION

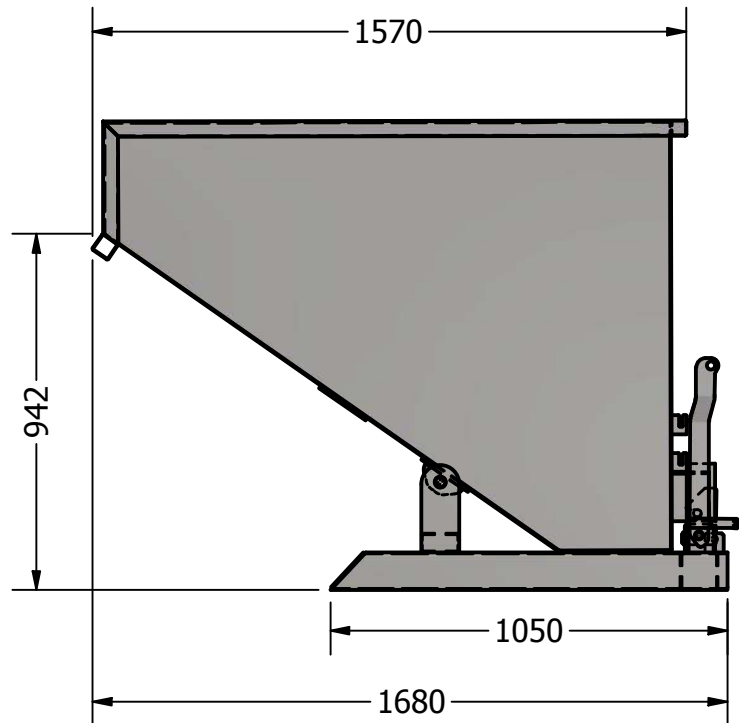
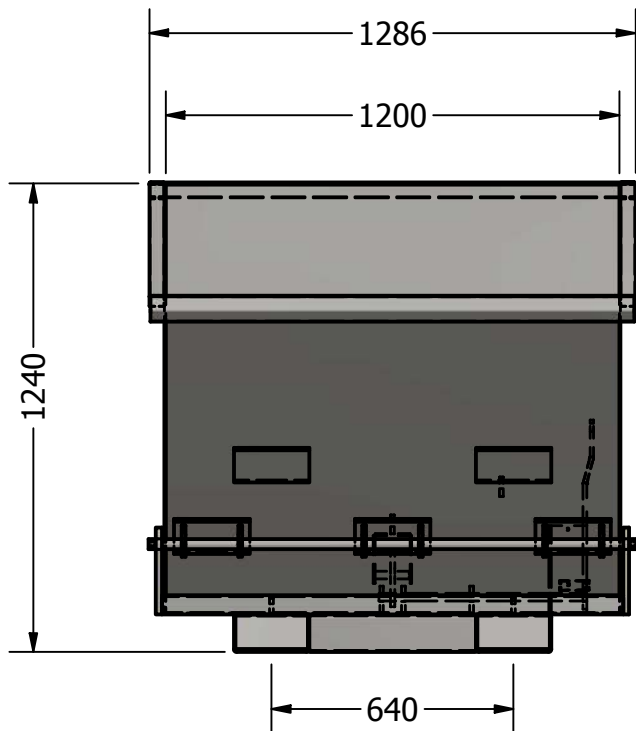
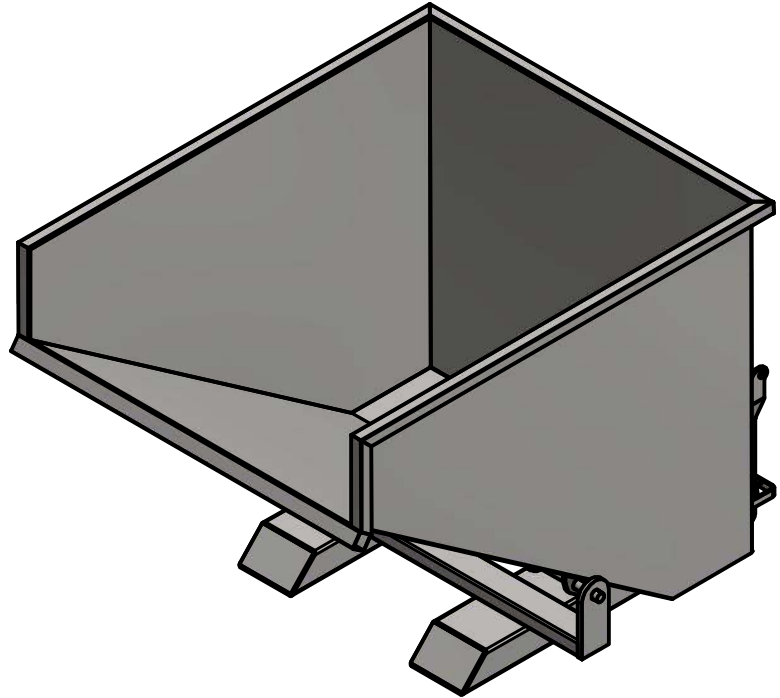
The Bremco JS-OLD tipper bin provides a budget option in the JS range for those who don't require crane lift capabilities.

With taller sides, this increases the capacity to approximately 1.2m³

The unit features a double locking device and all the usual features of our tipper bin range.

SPECIFICATIONS

- Tyne Pocket: 190mm x 70mm
- Tyne Pocket Centres: 640mm
- Finish: Powder Coated
- NB: Compliance plate & serial number attached
- WLL: 1000kg



FINISH: Powder Coated

WLL: 1000Kg

HCoG: 643

VCoG: 489

TARE: 233.454 kg

STANDARDS: AS 4991

NOTES:

SPECIFICATIONS SUBJECT TO CHANGE WITHOUT NOTICE

This document is the property of Bremco Metal Products P/L.

It must not be copied or reproduced without the written consent of the company.

BREMCO METAL PRODUCTS

BMP015-JS12-OLD

DRAWING #: 015-JS-OLD-SPEC

DATE: 08-02-2019

SHEET #: 1 of 1

REVISION: A