

BMP015-NS-09 - FORKLIFT TIPPER BIN

www.bremco.com.au

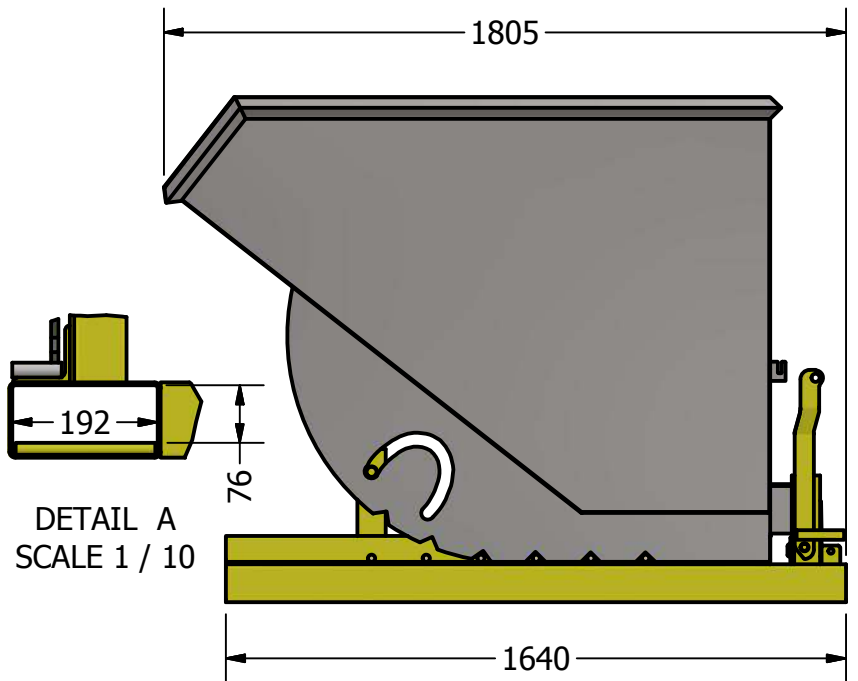
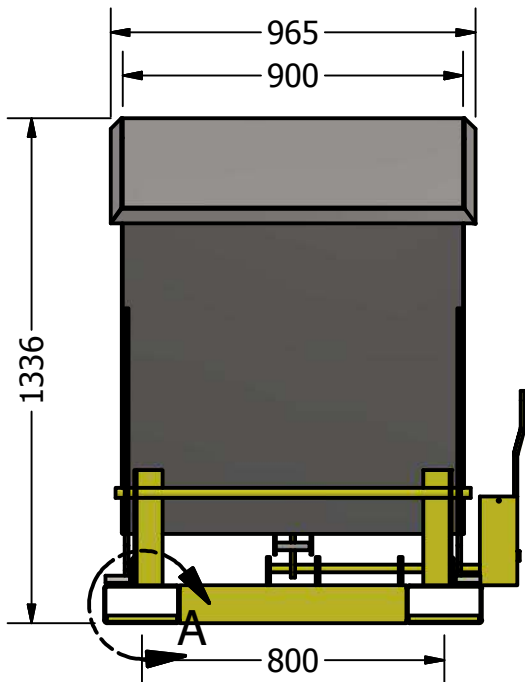
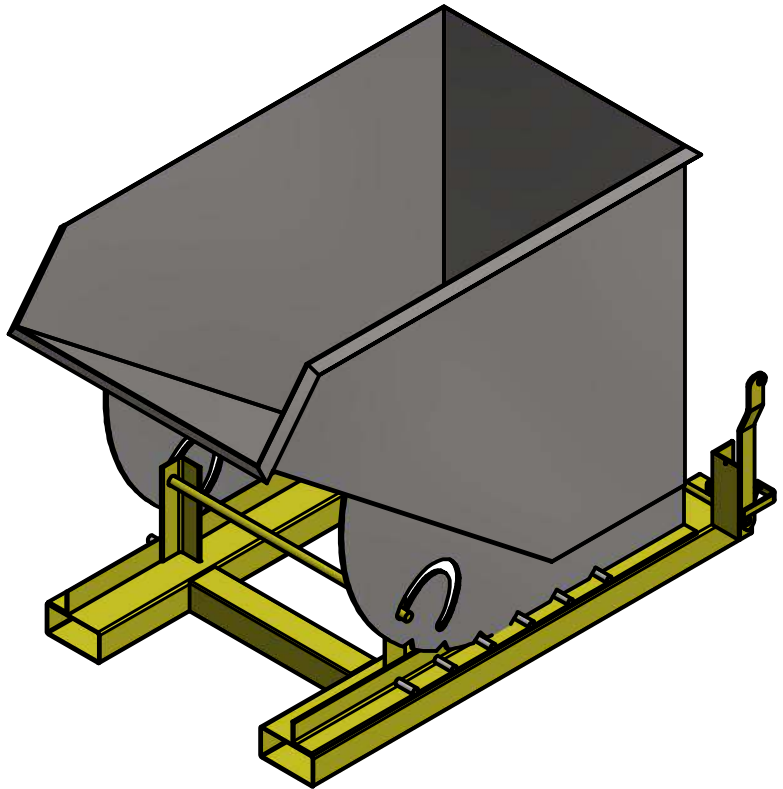
bremco
1300 273 626

PRODUCT DESCRIPTION

Dump your bulky general paper waste. This unit is considered light duty and not appropriate for steel scrap. Slip on attachment with a balanced hopper that rolls forward when loaded and unlatched. The bin then returns to an upright position. Pull the lever to unlock and release.

SPECIFICATIONS

- Tyne Pocket: 190mm x 70mm
- Tyne Pocket Centres: 800mm
- Finish: Powder Coated
- NB: Compliance plate & serial number attached
- WLL: 1000kg
- CAPACITY - 1.1 m3



FINISH: Powder Coated

WLL: 1000Kg

HCoG: 826

VCoG: 463

TARE: 293.270 kg

STANDARDS: AS2359

NOTES:

SPECIFICATIONS SUBJECT TO CHANGE WITHOUT NOTICE

This document is the property of Bremco Metal Products P/L. It must not be copied or reproduced without the written consent of the company.

BREMCO METAL PRODUCTS

BMP015-NS-09

DRAWING #: 015-NS-09

SHEET #: 1 of 1

DATE: 3/03/2017

REVISION: A

BMP015-NS-12 - FORKLIFT TIPPER BIN

www.bremco.com.au



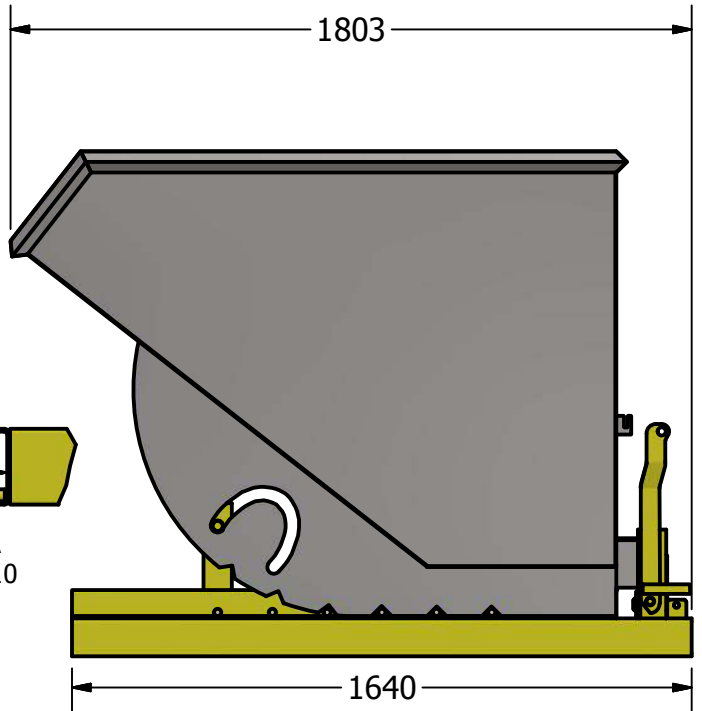
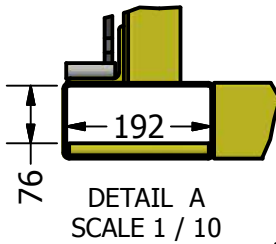
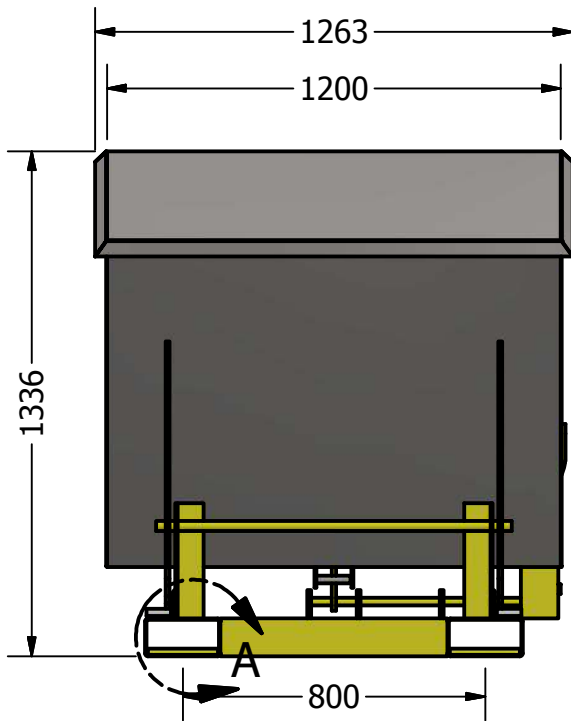
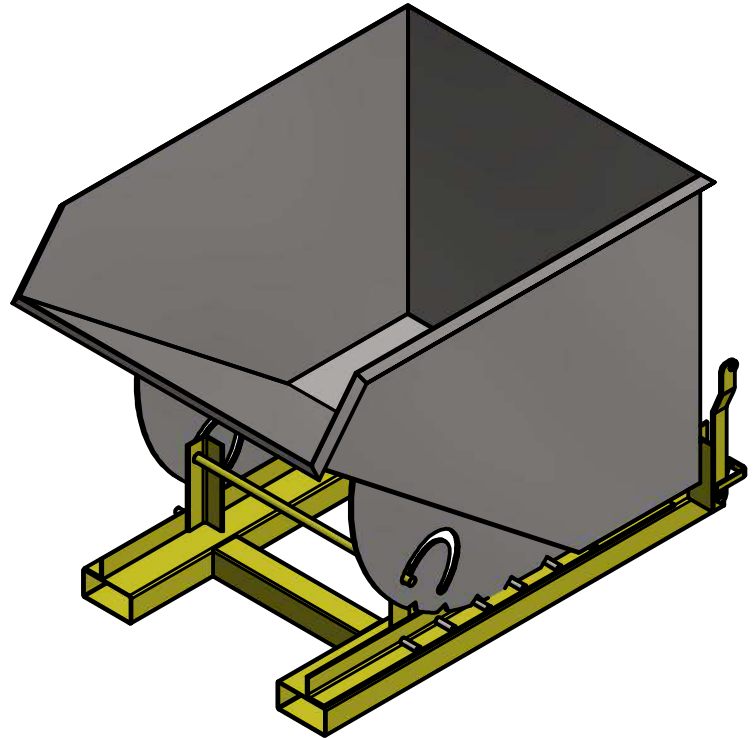
bremco
1300 273 626

PRODUCT DESCRIPTION

Dump your bulky general paper waste. This unit is considered light duty and not appropriate for steel scrap. Slip on attachment with a balanced hopper that rolls forward when loaded and unlatched. The bin then returns to an upright position. Pull the lever to unlock and release.

SPECIFICATIONS

- Tyne Pocket: 190mm x 70mm
- Tyne Pocket Centres: 800mm
- Finish: Powder Coated
- NB: Compliance plate & serial number attached
- WLL: 1000kg
- CAPACITY - 1.5 m³



FINISH: Powder Coated

WLL: 1000Kg

HCoG: 820

VCoG: 477

TARE: 315.512 kg

STANDARDS: AS2359

NOTES:

SPECIFICATIONS SUBJECT TO CHANGE WITHOUT NOTICE

This document is the property of Bremco Metal Products P/L. It must not be copied or reproduced without the written consent of the company.

BREMCO METAL PRODUCTS

BMP015-NS-12

DRAWING #: 015-NS-12-SPEC

SHEET #: 1 of 1

DATE: 3/03/2017

REVISION: B

BMP015-NS-15 - FORKLIFT TIPPER BIN

www.bremco.com.au

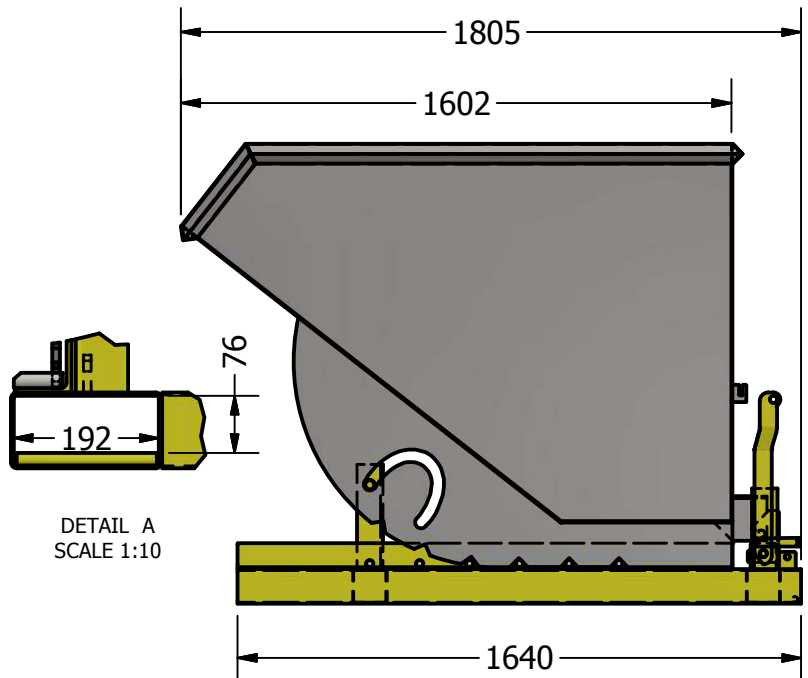
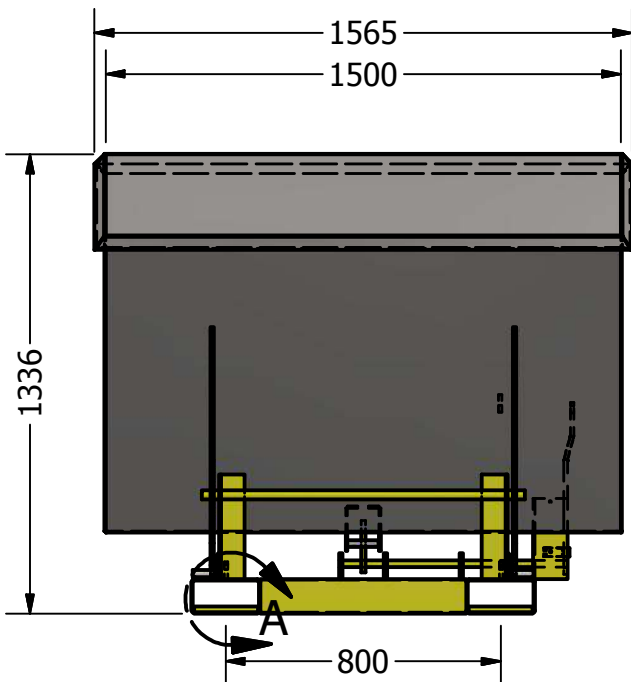
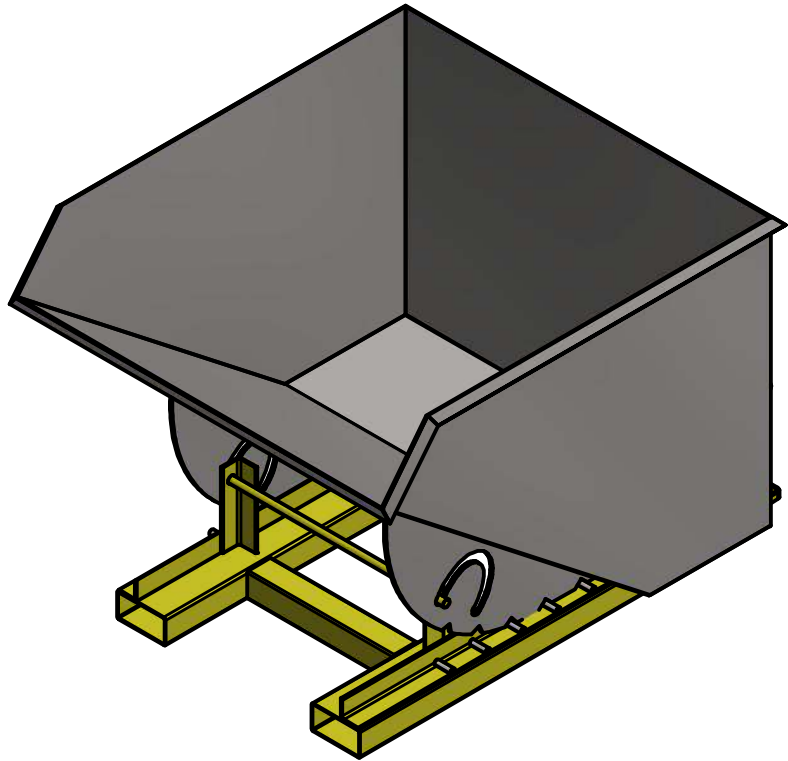
bremco
1300 273 626

PRODUCT DESCRIPTION

Dump your bulky general paper waste. This unit is considered light duty and not appropriate for steel scrap. Slip on attachment with a balanced hopper that rolls forward when loaded and unlatched. The bin then returns to an upright position. Pull the lever to unlock and release.

SPECIFICATIONS

- Tyne Pocket: 190mm x 70mm
- Tyne Pocket Centres: 800mm
- Finish: Powder Coated
- NB: Compliance plate & serial number attached
- WLL: 1000kg
- CAPACITY - 1.8 m³



DETAIL A
SCALE 1:10

FINISH: Powder Coated

WLL: 1000KG

HCoG: 815

VCoG: 485

TARE: 335.187 kg

STANDARDS: AS 2359

NOTES:

SPECIFICATIONS SUBJECT TO CHANGE
WITHOUT NOTICE

This document is the property of
Bremco Metal Products P/L.
It must not be copied or
reproduced
without the written consent of the
company.

BREMCO METAL PRODUCTS

BMP015-NS-15

DRAWING #:
015-NS-15-SPEC

SHEET #:
1 of 1

DATE:
17/02/2017

REVISION:
B

BMP015-NS-18 - FORKLIFT TIPPER BIN

www.bremco.com.au

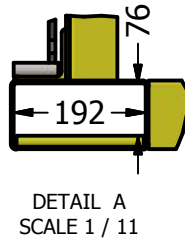
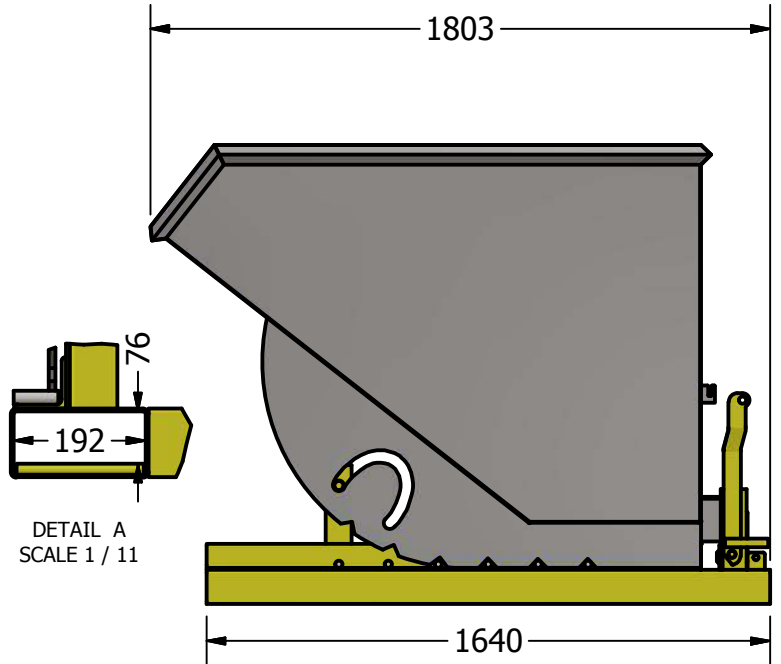
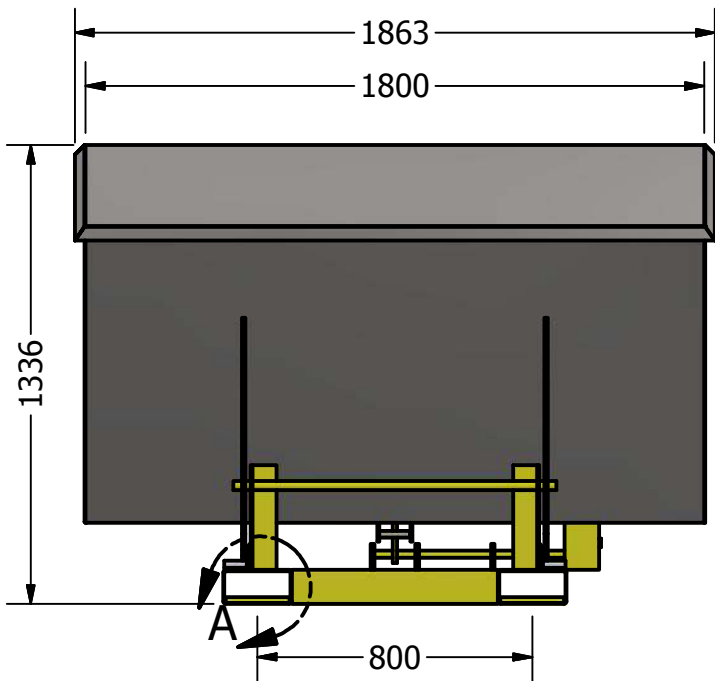
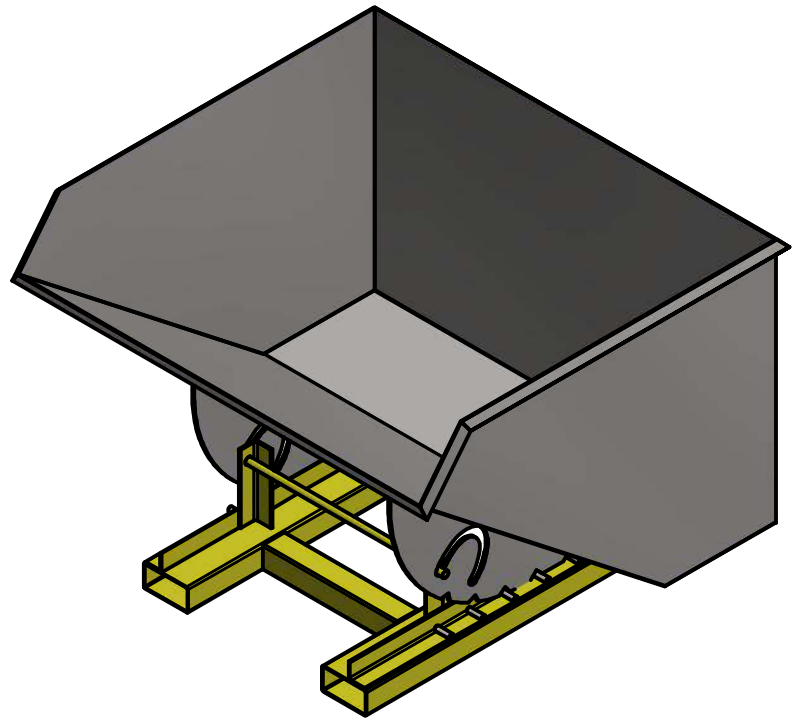


PRODUCT DESCRIPTION

Dump your bulky general paper waste. This unit is considered light duty and not appropriate for steel scrap. Slip on attachment with a balanced hopper that rolls forward when loaded and unlatched. The bin then returns to an upright position. Pull the lever to unlock and release.

SPECIFICATIONS

- Tyne Pocket: 190mm x 70mm
- Tyne Pocket Centres: 800mm
- Finish: Powder Coated
- NB: Compliance plate & serial number attached
- WLL: 1000kg
- CAPACITY - 2.2 m3



DETAIL A
SCALE 1 / 11

FINISH: Powder Coated

WLL: 1000Kg

HCoG: 811

VCoG: 500

TARE: 360.006 kg

STANDARDS: AS2359

NOTES:

SPECIFICATIONS SUBJECT TO CHANGE WITHOUT NOTICE

This document is the property of Bremco Metal Products P/L. It must not be copied or reproduced without the written consent of the company.

BREMCO METAL PRODUCTS

BMP015-NS-18

DRAWING #: 015-NS-18-SPEC

DATE: 3/03/2017

SHEET #: 1 of 1

REVISION: B