

# BMP015-OS-04 - FORKLIFT TIPPER BIN

www.bremco.com.au

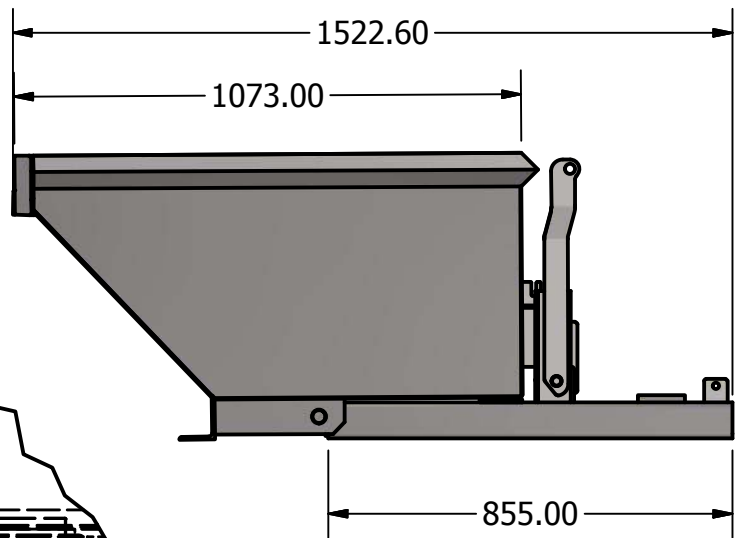
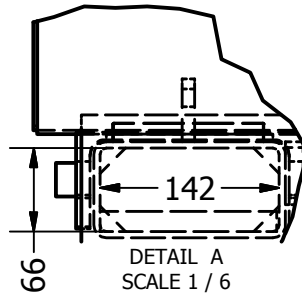
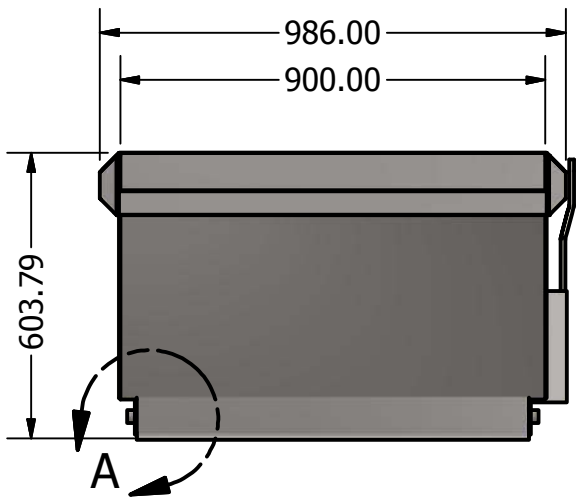
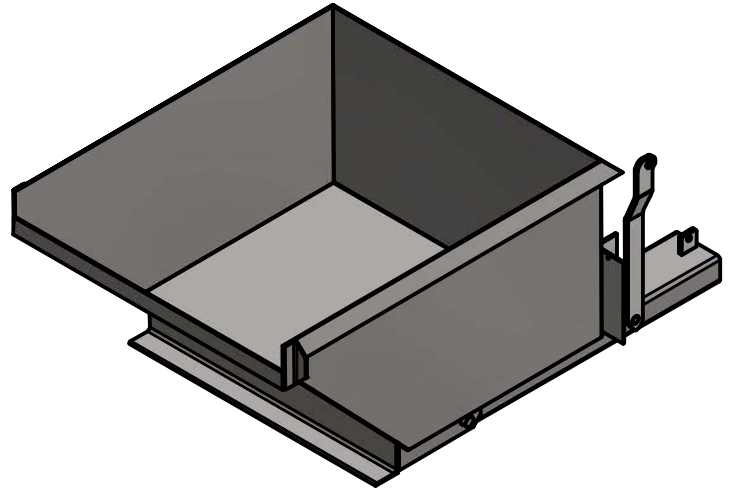


## Product Description

Heavy, dense items such as steel scrap and gravel are easily released with this slip on tippler bin attachment. The lever is positioned at the back of the bin, so the operator can easily unload into larger skips. This unit is considered extra strong

## Specifications

- Tyne Pocket: 190mm x 67mm
- Tyne Pocket Centres: 710mm
- Finish: Powder Coated
- NB: Compliance plate & serial number attached
- WLL: 1000kg



FINISH: Powder Coated

WLL: 1000KG

HCoG:

VCoG:

TARE: N/A

STANDARDS: AS2359

### NOTES:

SPECIFICATIONS SUBJECT TO CHANGE WITHOUT NOTICE

This document is the property of Bremco Metal Products P/L. It must not be copied or reproduced without the written consent of the company.

BREMCO METAL PRODUCTS

BMP015-OS-04

DRAWING #: 015-OS-04

SHEET #: 1 of 1

DATE: 7/03/2017

REVISION: A

# BMP015-OS-08 - FORKLIFT TIPPER BIN

www.bremco.com.au

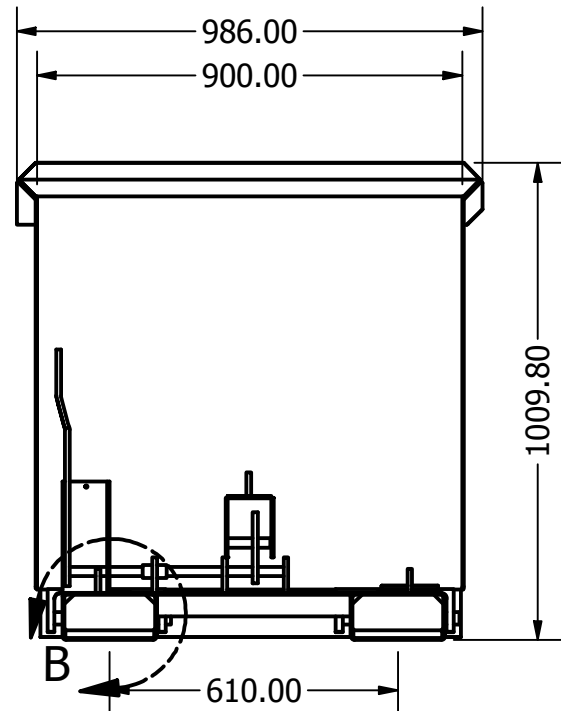
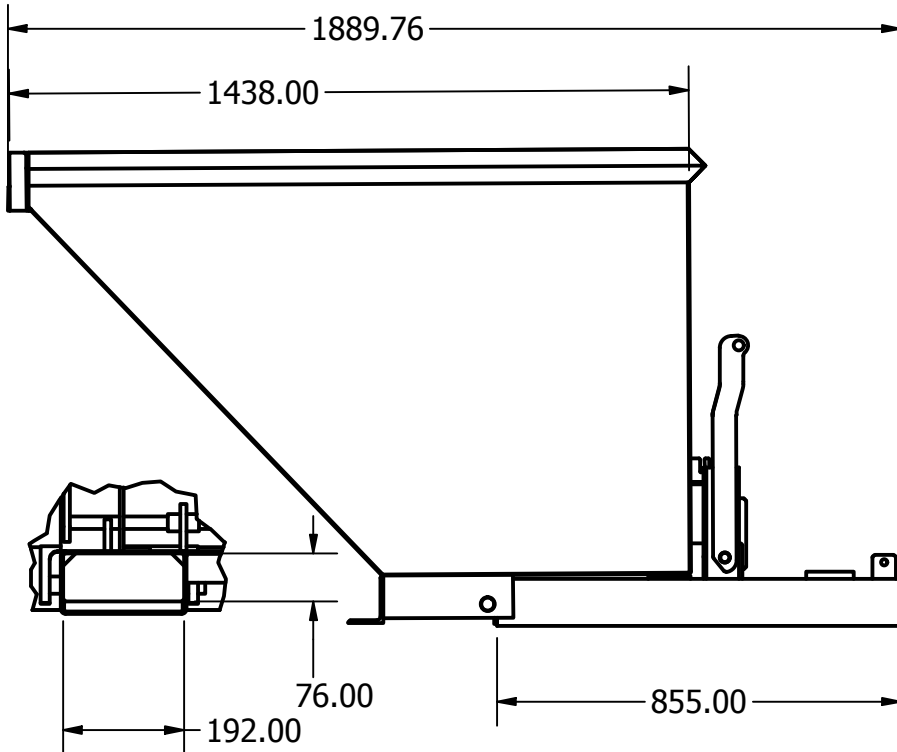
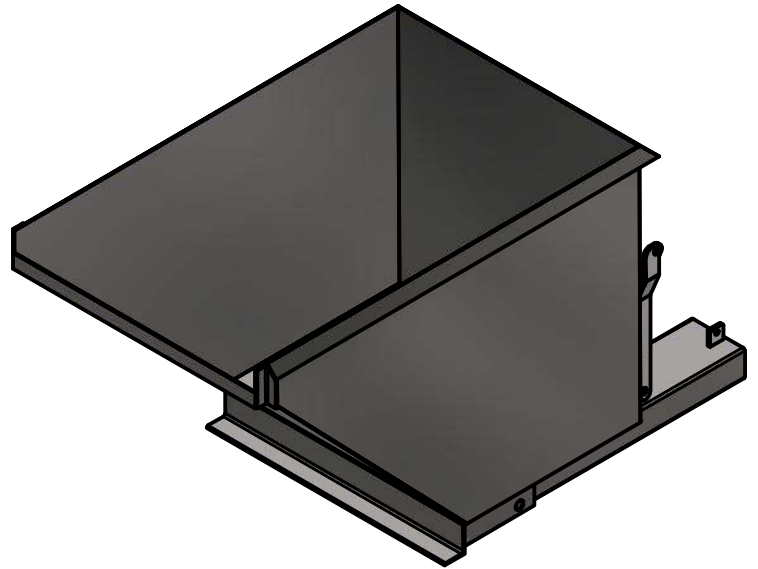


## Product Description

Heavy, dense items such as steel scrap and gravel are easily released with this slip on tippler bin attachment. The lever is positioned at the back of the bin, so the operator can easily unload into larger skips. This unit is considered extra strong

## Specifications

- Tyne Pocket: 190mm x 76mm
- Tyne Pocket Centres: 610mm
- Finish: Powder Coated
- NB: Compliance plate & serial number attached
- WLL: 1000kg



FINISH: Powder Coated

WLL: 1000KG

HCoG: 871

VCoG: 384

TARE: 194.725 kg

STANDARDS: AS2359

### NOTES:

SPECIFICATIONS SUBJECT TO CHANGE WITHOUT NOTICE

This document is the property of Bremco Metal Products P/L. It must not be copied or reproduced without the written consent of the company.

BREMCO METAL PRODUCTS

BMP015-OS-08

DRAWING #: 015-OS-08

SHEET #: 1 of 1

DATE: 7/03/2017

REVISION: A