

BMP016 FORKLIFT ECONOMY JIB

www.bremco.com.au



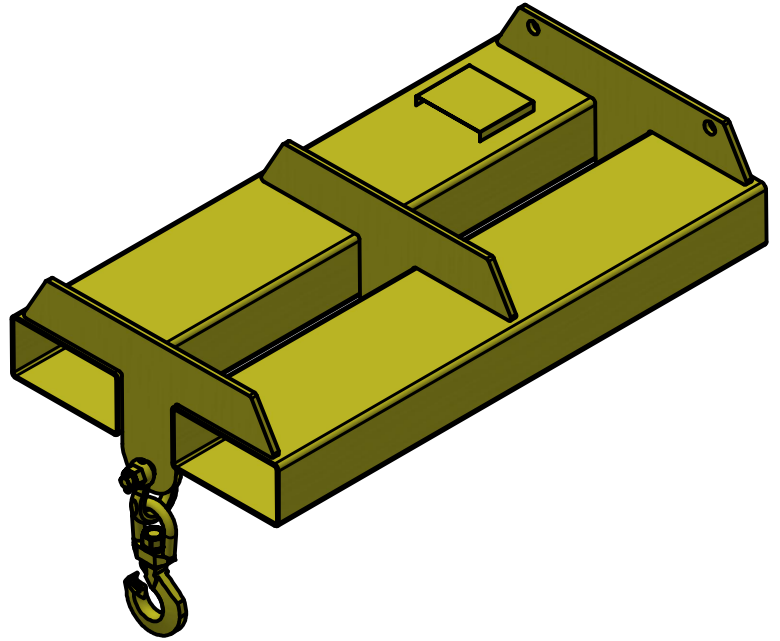
bremco
1300 273 626

Product Description

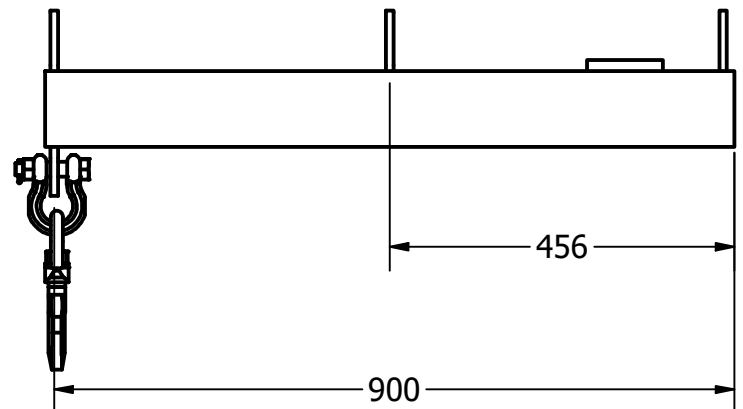
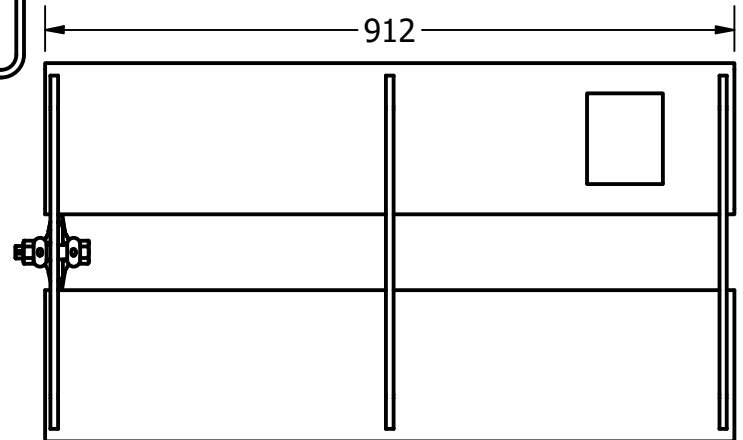
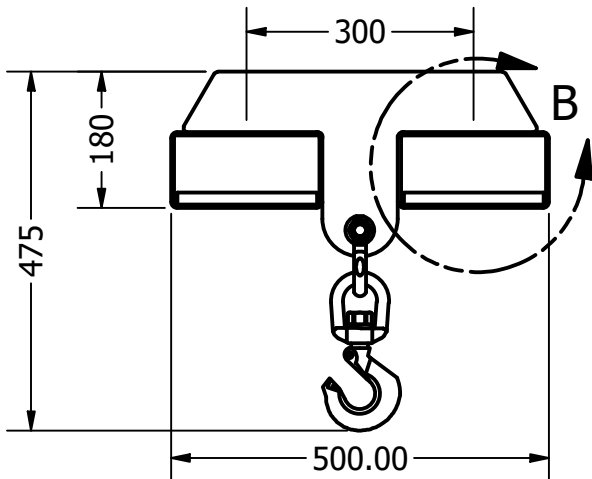
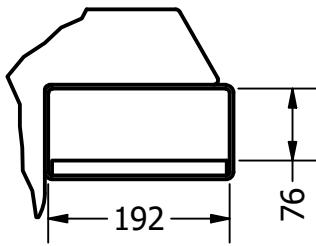
Made in our Australian Factory
The Bremco Forklift Economy Jib is an inexpensive way to convert your standard forklift into a small crane and is a great way to transport heavy, awkward items around your workshop or yard.

Specifications

WLL: 1000kg at 900mm HLC
HCoG: 447mm VCoG : 52mm
Tyne Pockets: 192mm x 76mm
Tyne Pocket Centres: 300mm
Finish: POWDER COATED
NB: Compliance plate attached
Unit comes standard with Hook, Shackles & Pins



DETAIL B
SCALE 1:8



FINISH: POWDER COAT GREY

WLL: 1000 kg

HCoG: 447 VCoG: 52

TARE: 44.546 kg

STANDARDS: AS 2359

NOTES:

SPECIFICATIONS SUBJECT TO CHANGE WITHOUT NOTICE

This document is the property of Bremco Metal Products P/L. It must not be copied or reproduced without the written consent of the company.

BREMCO METAL PRODUCTS

BMP016

DRAWING #: 016-SPEC

SHEET #: 1 of 1

DATE #: 29/03/2019

REVISION: B

BMP016-2T FORKLIFT ECONOMY JIB

www.bremco.com.au

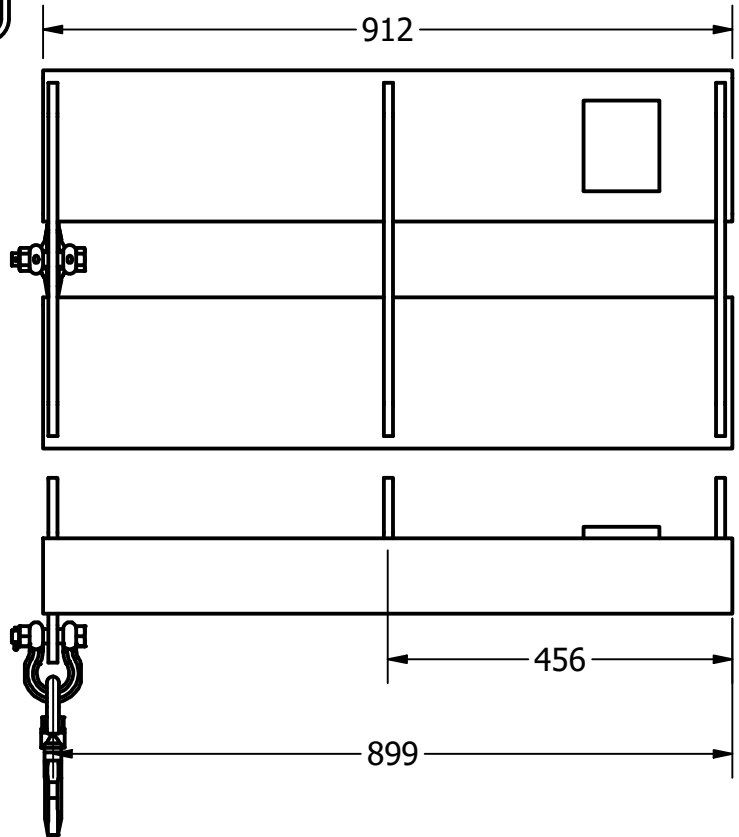
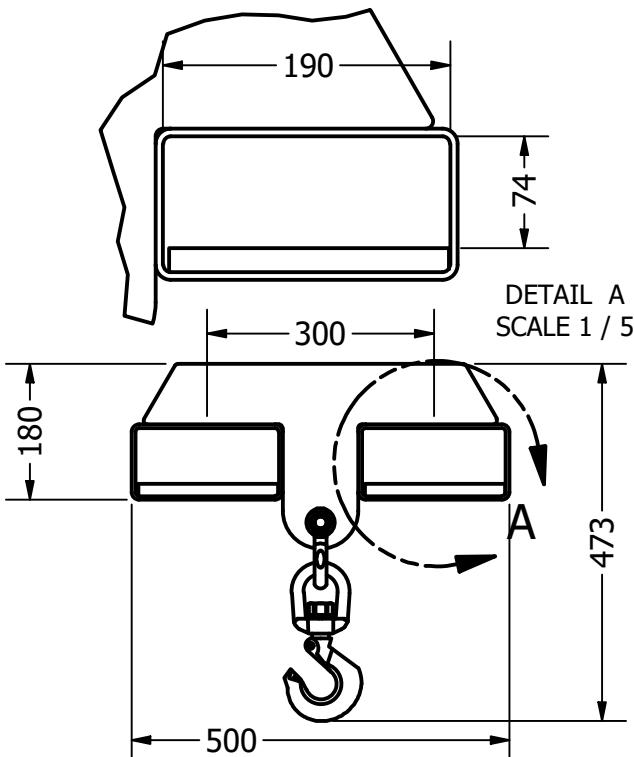
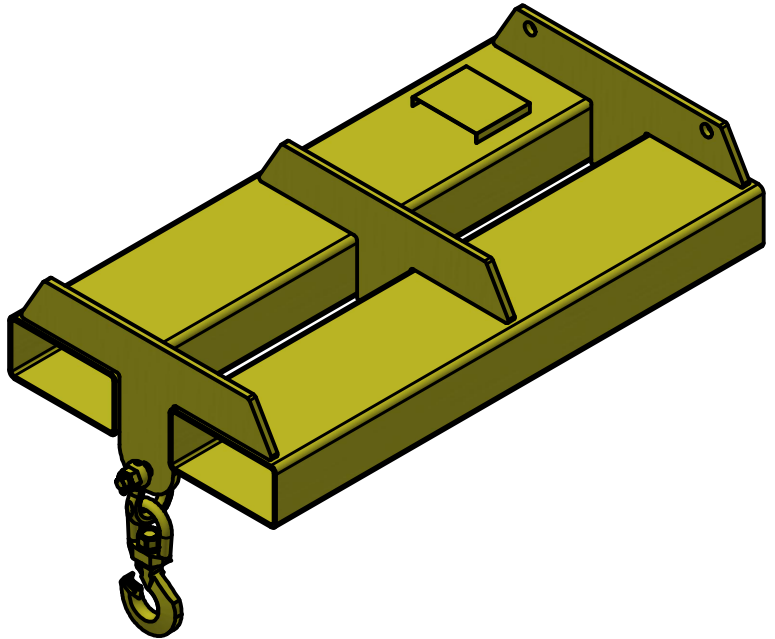


Product Description

Made in our Australian Factory
 The Bremco Forklift Economy Jib is an inexpensive way to convert your standard forklift into a small crane and is a great way to transport heavy, awkward items around your workshop or yard.

Specifications

WLL: 2000kg at 900mm HLC
 HCoG: 447mm VCoG : 52mm
 Tyne Pockets: 190mm x 74mm
 Tyne Pocket Centres: 300mm
 Finish: POWDER COATED
 NB: Compliance plate attached
 Unit comes standard with Hook, Shackles & Pins



FINISH: POWDER COAT

WLL: 2000kg

HCoG: 447 VCoG: 52

TARE: 54.445 kg

STANDARDS: AS 2359

NOTES:

SPECIFICATIONS SUBJECT TO CHANGE WITHOUT NOTICE

This document is the property of Bremco Metal Products P/L. It must not be copied or reproduced without the written consent of the company.

BREMCO METAL PRODUCTS

BMP016-2T

DRAWING #:	DATE #:
016-2T-SPEC	29/03/2019
SHEET #:	REVISION :
1 of 1	B