

# BMP016 FORKLIFT ECONOMY JIB

www.bremco.com.au

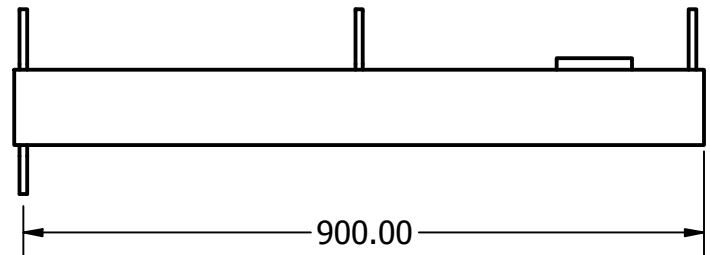
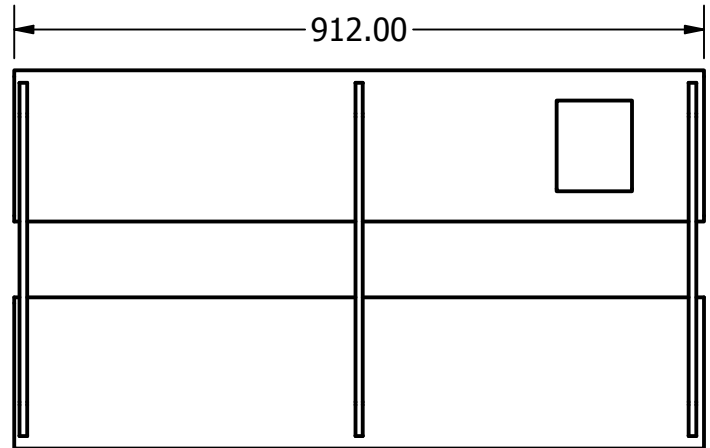
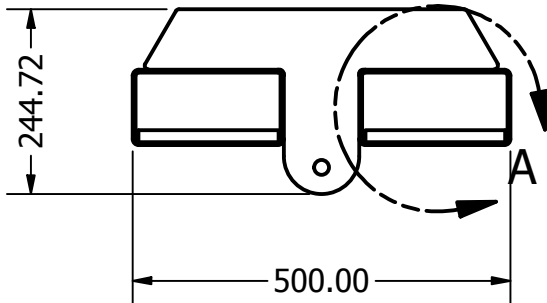
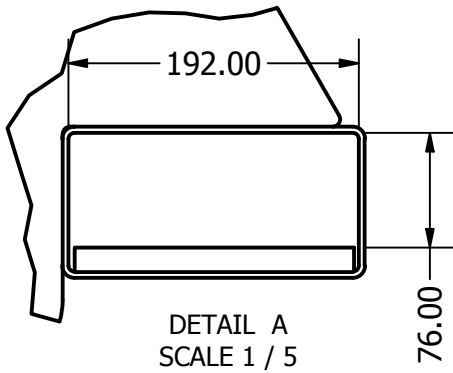
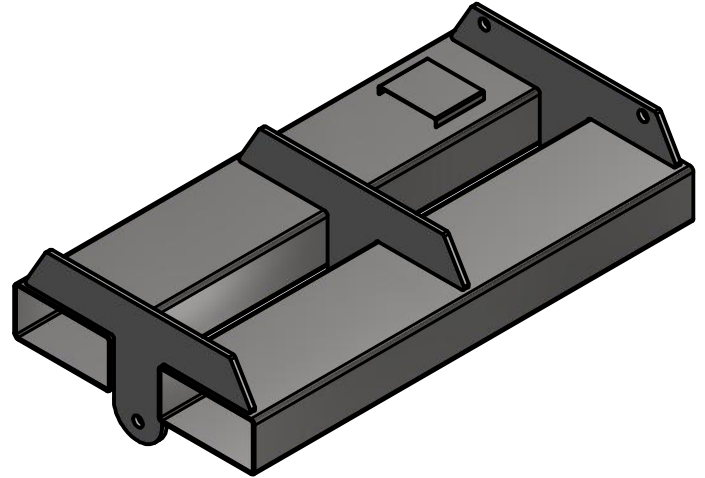


## Product Description

Made in our Australian Factory  
 The Bremco Forklift Economy Jib is an inexpensive way to convert your standard forklift into a small crane and is a great way to transport heavy, awkward items around your workshop or yard.

## Specifications

WLL: 1000kg at 900mm HLC  
 HCoG: 447mm VCoG : 52mm  
 Tyne Pockets: 192mm x 76mm  
 Tyne Pocket Centres: 300mm  
 Finish: POWDER COATED  
 NB: Compliance plate attached  
 Unit comes standard with Hook, Shackles & Pins



FINISH: POWDER COAT GREY

WLL: SEE DWG

HCoG: 447 VCoG: 52

TARE: 34.997 kg

STANDARDS: AS 2359

### NOTES:

**SPECIFICATIONS SUBJECT TO CHANGE WITHOUT NOTICE**

This document is the property of Bremco Metal Products P/L. It must not be copied or reproduced without the written consent of the company.

BREMCO METAL PRODUCTS

BMP016

DRAWING #: 016-SPEC

SHEET #: 1 of 1

DATE #: 29/03/2019

REVISION: A