

BMP016-TB-CL2 FORKLIFT TOWBALL JIB

www.bremco.com.au



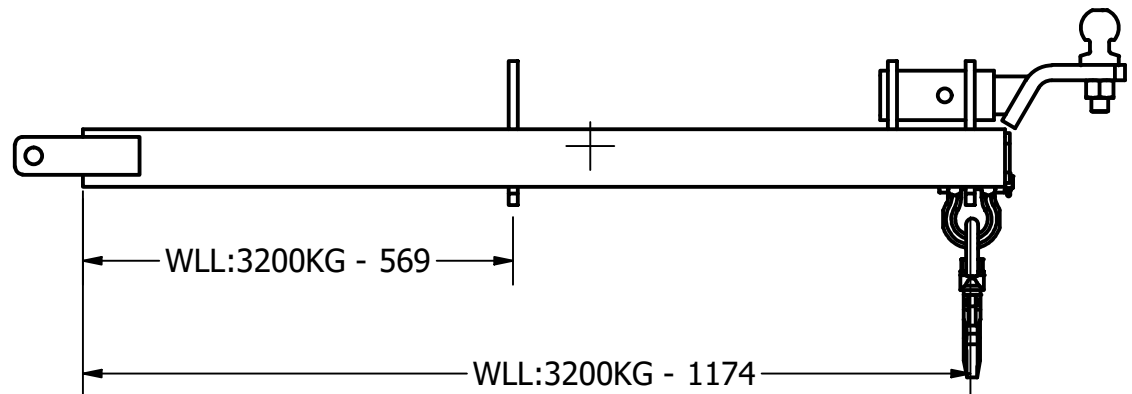
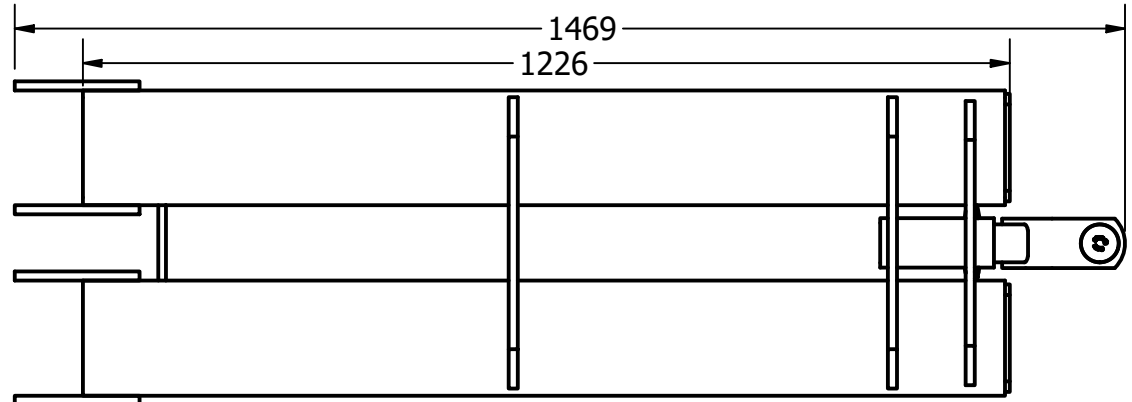
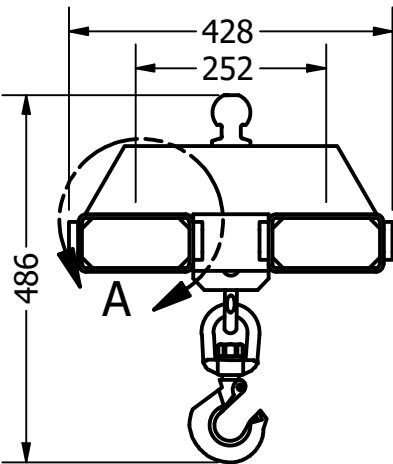
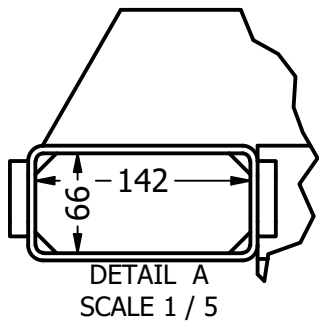
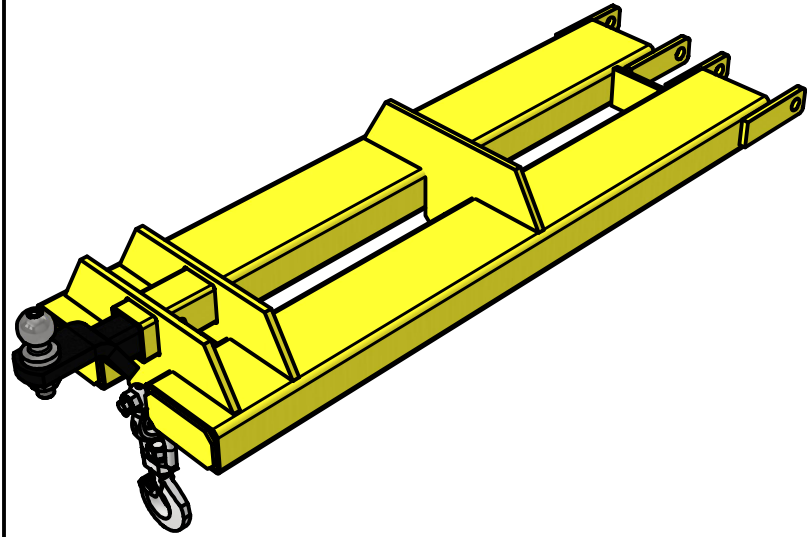
Product Description

Made in our Australian Factory
The Bremco Forklift Tow Ball Jib is an inexpensive way to convert your standard forklift into a small crane and is a great way to transport heavy, awkward items around your workshop or yard.

This unit can also adapt to a forklift towing attachment by using a standard 50mm Towball attached through the interchangeable hitch.

Notes:

- WLL: 3200kg at 2 Lift Points
- NB: Compliance plate attached
- Net Trailer mass = 3200kg
- Max Ball Weight = 300kg



FINISH: P/C YELLOW

WLL: 3200kg

HCoG: 677

VCoG: 54

TARE: 58.293 kg

STANDARDS: AS 2359

NOTES:

SPECIFICATIONS SUBJECT TO CHANGE WITHOUT NOTICE

This document is the property of Bremco Metal Products P/L. It must not be copied or reproduced without the written consent of the company.

BREMCO METAL PRODUCTS

BMP016-TB-CL2

DRAWING #:

016-TB-CL2

SHEET #:

1 of 1

DATE #:

5/07/2021

REVISION:

E