

BMP025 - 10 Tonne Extension Jib

www.bremco.com.au

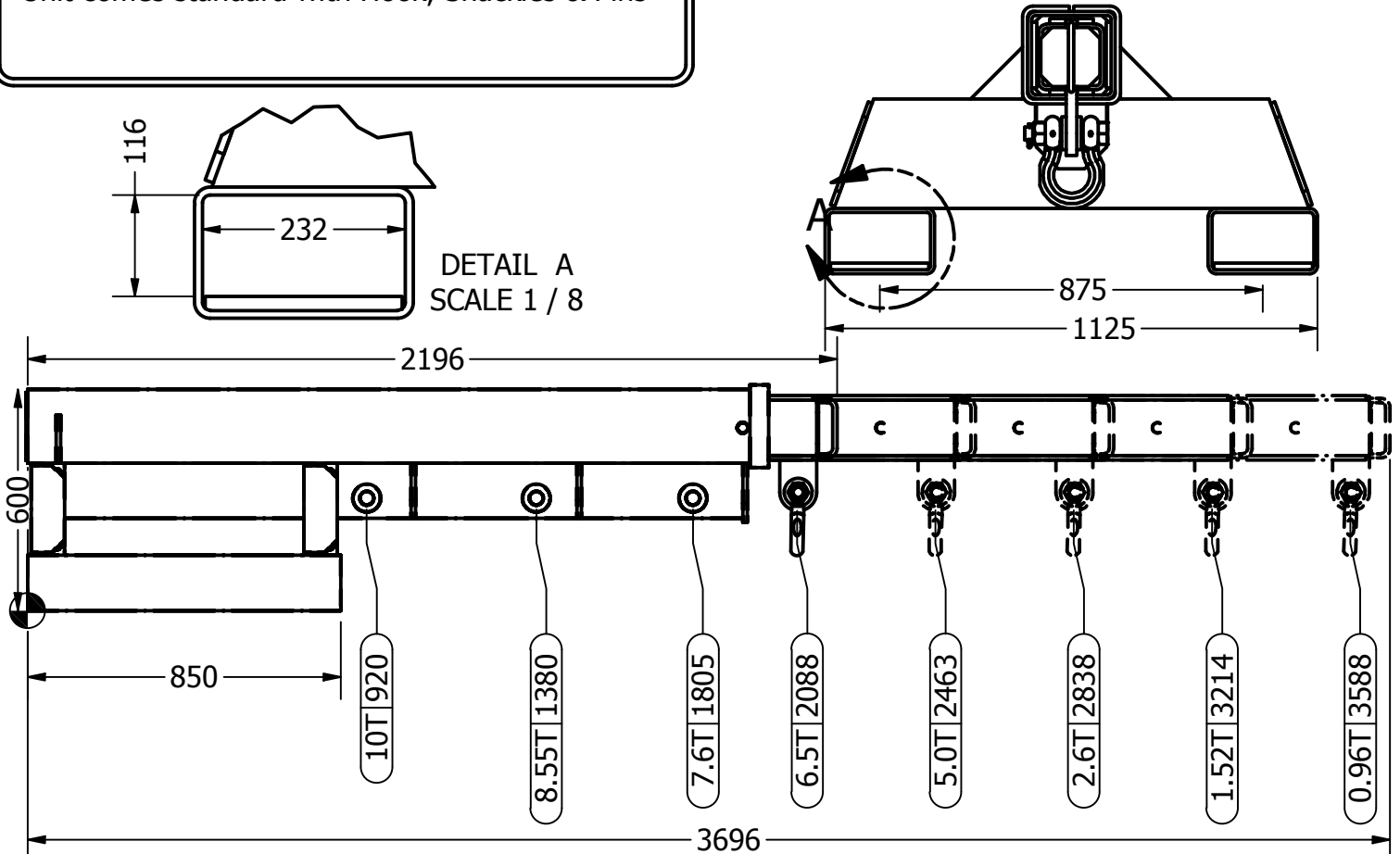
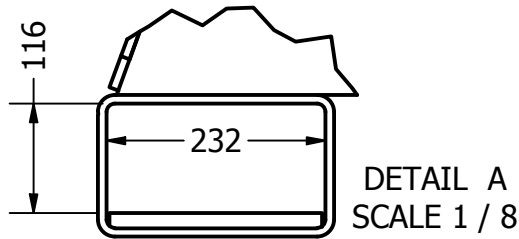
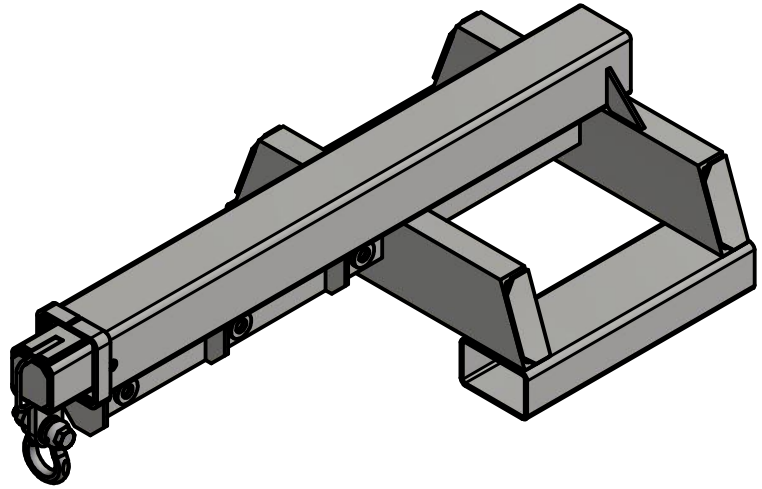


DESCRIPTION

Convert your forklift for some intense lifting. The 10T Heavy Duty Extension Jib is designed for the heavier range of forklift, for handling large unpalletised loads, with the added flexibility of a multi-adjustable extension.

SPECIFICATIONS

- WLL: 10000kg at 920mm HLC
- 960kg at 3588mm HLC
- HCoG: 872mm
- VCoG: 366mm
- Tyne Pockets: 232mm x 116mm
- Tyne Pocket Centres: 875mm
- Finish: Powder Coat Grey
- Extension Jib Range: 920mm to 3588mm
- NB: Compliance plate attached
- Unit comes standard with Hook, Shackles & Pins



FINISH: P/C YELLOW

WLL: SEE DWG

HCoG: 872

VCoG: 366

TARE: 501.211 kg

STANDARDS AS2359

NOTES:

SPECIFICATIONS SUBJECT TO CHANGE WITHOUT NOTICE

This document is the property of Bremco Metal Products P/L. It must not be copied or reproduced without the written consent of the company.

BREMCO METAL PRODUCTS

BMP025

DRAWING #:

025-SPEC

SHEET #:

1 of 1

DATE #:

22/02/2019

REVISION:

B