

BMP029-B - CRANE LIFT GAS BOTTLE TROLLEY

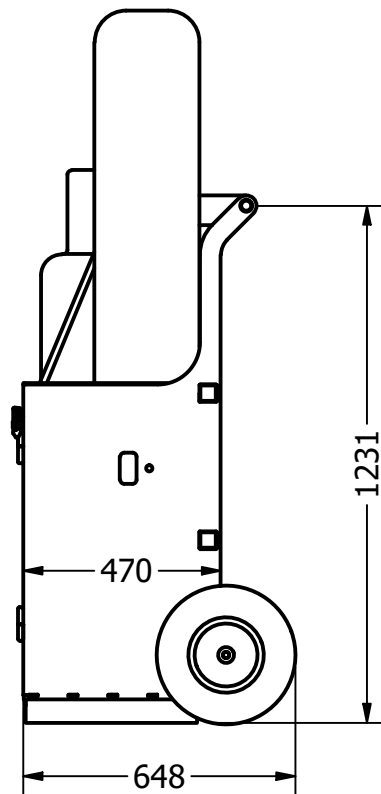
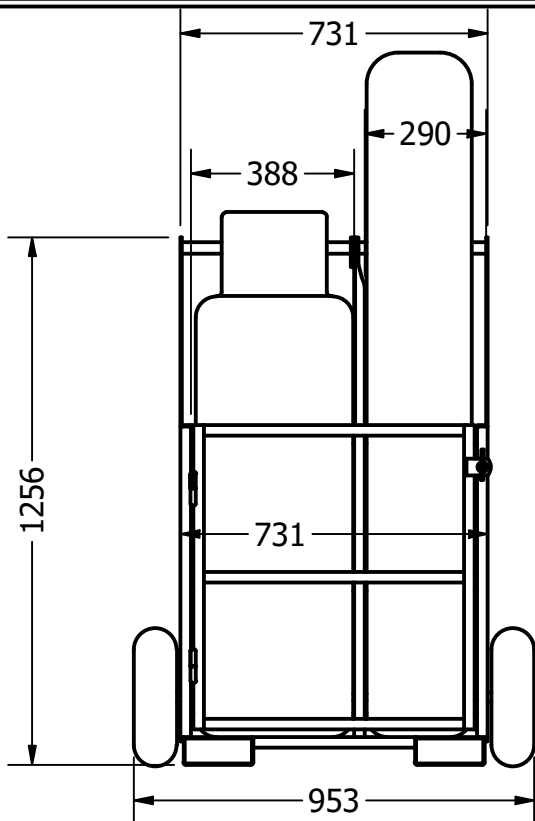
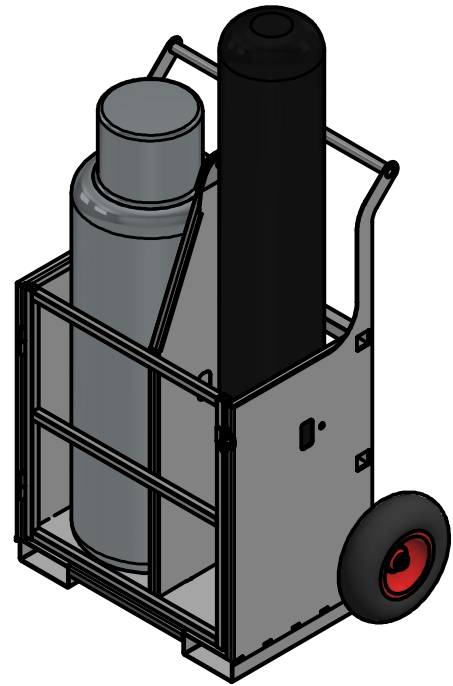
www.bremco.com.au



Product Description

Bremco's BMP029-B Gas Bottle Trolley is designed to be pushed, crane-lifted or fork-lifted around the work site. Ideal for use on construction sites where traditional trolleys may be difficult to maneuver around the site.

This Trolley has forklift pockets under the base to offer a safe way to lift product using a forklift. Each individual trolley is proof load tested and certified to AS4991 and each trolley is tagged and tested, then supplied with a rating plate to meet the standard.



FINISH: P/C SAFETY YELLOW

WLL: 250 Kg

HCoG: N/A

VCoG: N/A

TARE: 30.316 kg

STANDARDS: AS4991

NOTES:

SPECIFICATIONS SUBJECT TO CHANGE WITHOUT NOTICE

This document is the property of Bremco Metal Products P/L. It must not be copied or reproduced without the written consent of the company.

BREMCO METAL PRODUCTS

BMP029-B

DRAWING #: 029-B

SHEET #: 1 of 1

DATE #: 2/03/2021

REVISION: A