

BMP029 - OXY/LPG TROLLEY

www.bremco.com.au



bremco
1300 273 626

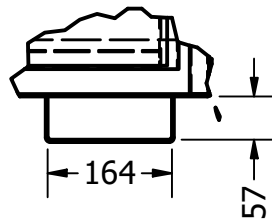
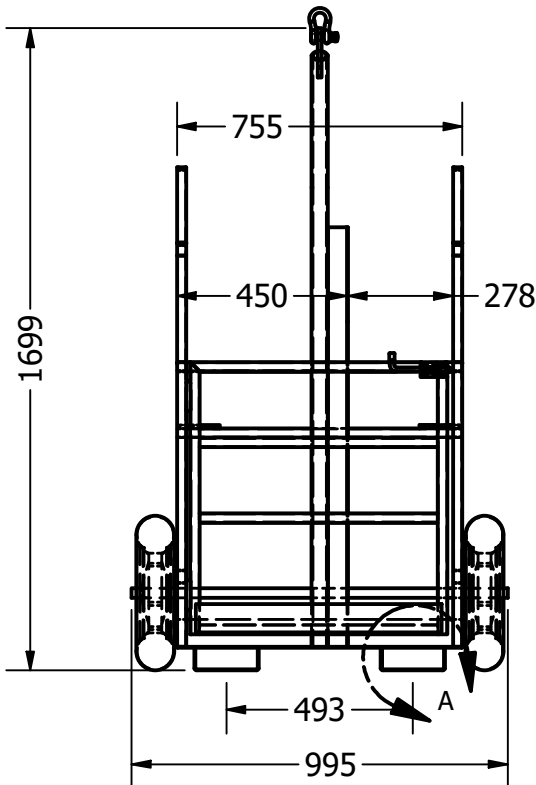
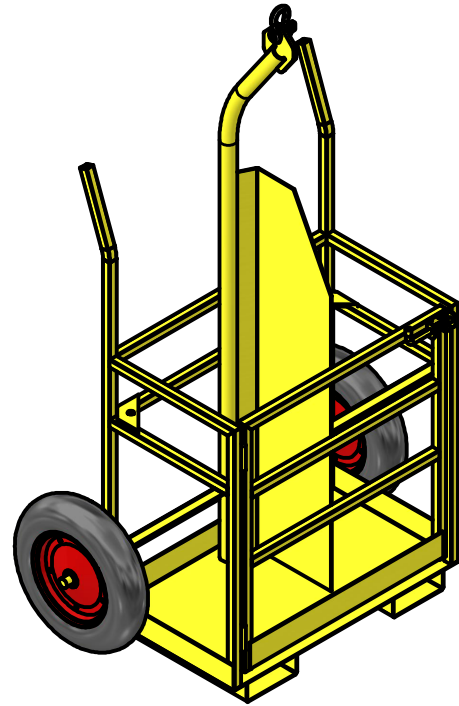
Gas Cylinder Trolley Single Crane Lift Deluxe Model

The Bremco Gas Cylinder Trolley Single Crane Lift Deluxe Model is designed to be pushed, crane-lifted or fork-lifted around the work site.

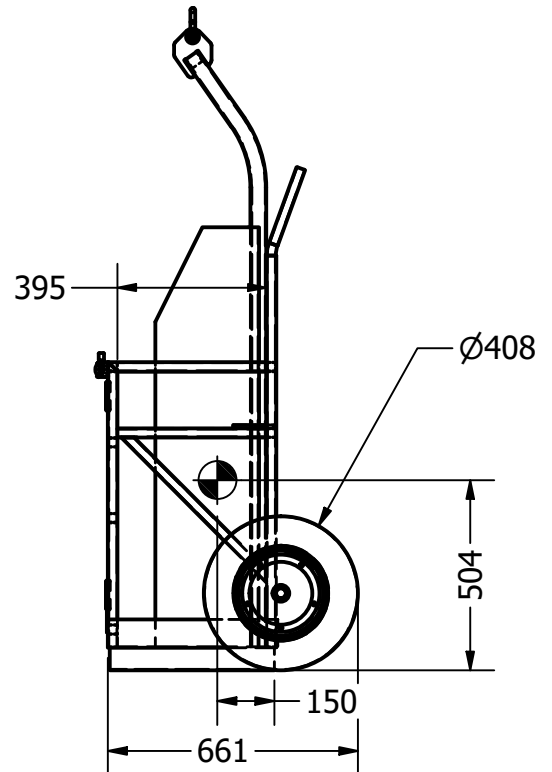
Ideal for use on construction sites where traditional trolleys may be difficult to manoeuvre around the site.

Specifications:

- WLL 250Kgs
- AS4991 Certified
- Takes 1 x G Oxy + 1 x LPG Cylinder (or 2 X G Size)
- 400mm Pneumatic Wheels
- 995mm x 660mm x 1699mm
- Safety latch gate
- Ratchet strap included
- Finish – Powdercoat Yellow



DETAIL A
SCALE 1 / 10



FINISH: P/C

WLL: 250

HCoG: 150

VCoG: 504

TARE: 60Kg

STANDARDS: AS 4991

NOTES:

SPECIFICATIONS SUBJECT TO CHANGE WITHOUT NOTICE

This document is the property of Bremco Metal Products P/L. It must not be copied or reproduced without the written consent of the company.

BREMCO METAL PRODUCTS

029

DRAWING #: BMP029

DATE #: 5/05/2022

SHEET #: 1 of 1

REVISION: A