

BMP037-1T - Crane lift pallet hook

www.bremco.com.au



Product Description

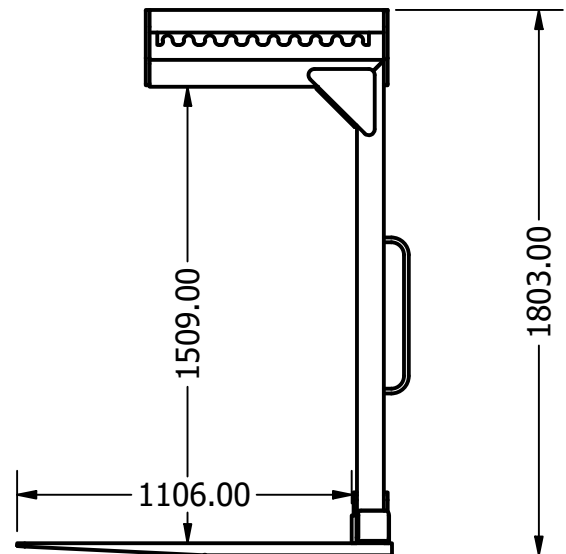
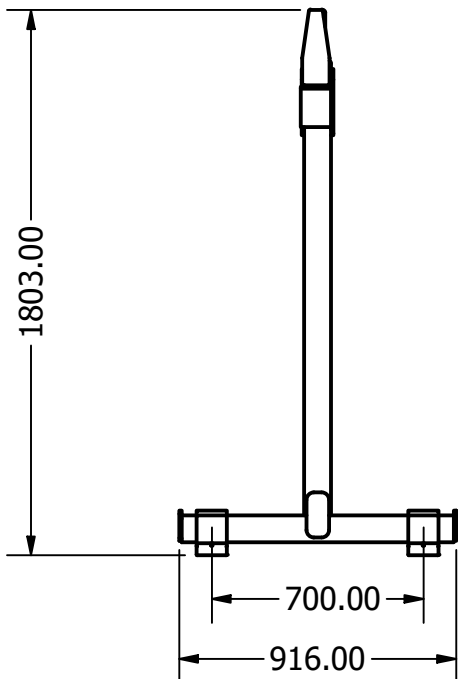
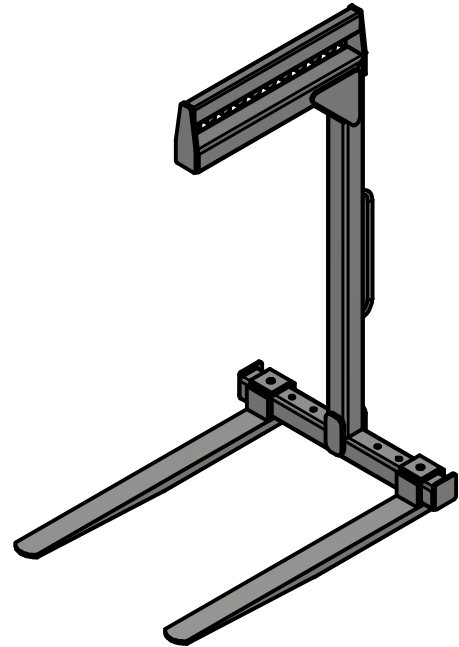
The Bremco Crane Lift Pallet Hook 1T is designed for the overhead lifting of palletized goods by Crane Truck or Gantry Cranes and is typically used in the construction industry to move products such as bricks, blocks, timber, cement and tiles.

These units have a load balancing slip-ring that can be positioned to suit the centre of gravity on the lifted load, and adjustable forks are standard with our units, allowing fast adjustment for the operator.

This unit is also available in...

WLL 2000 Kg

WLL 3500 Kg



FINISH: Yellow - Black Tynes

WLL: 1000Kg

HCoG: N/A

VCoG: N/A

TARE: 127kg

STANDARDS: AS4991

NOTES:

SPECIFICATIONS SUBJECT TO CHANGE WITHOUT NOTICE

This document is the property of Bremco Metal Products P/L. It must not be copied or reproduced without the written consent of the company.

BREMCO METAL PRODUCTS

BMP 037-1t

DRAWING #:

037-SPEC

SHEET #:

1 of 1

DATE #:

2/03/2018

REVISION:

A