

# BMP037-1T - Crane lift pallet hook

www.bremco.com.au



## Product Description

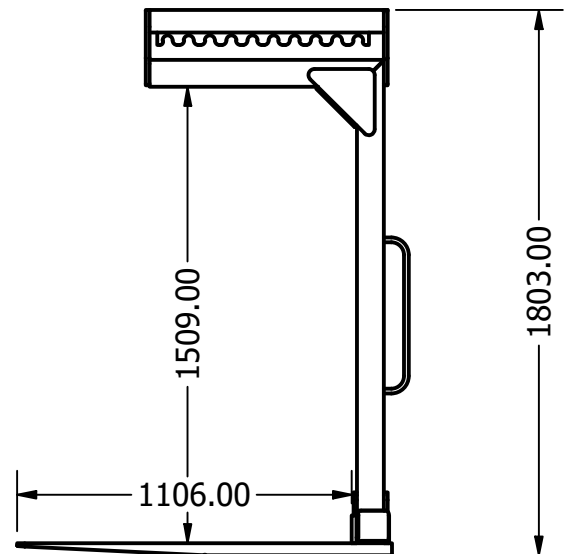
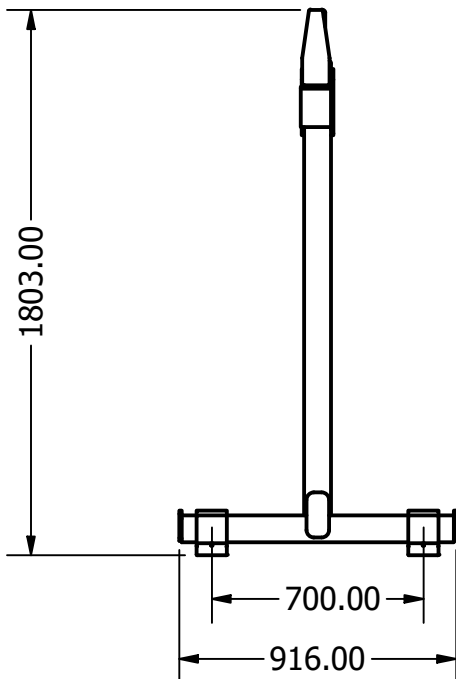
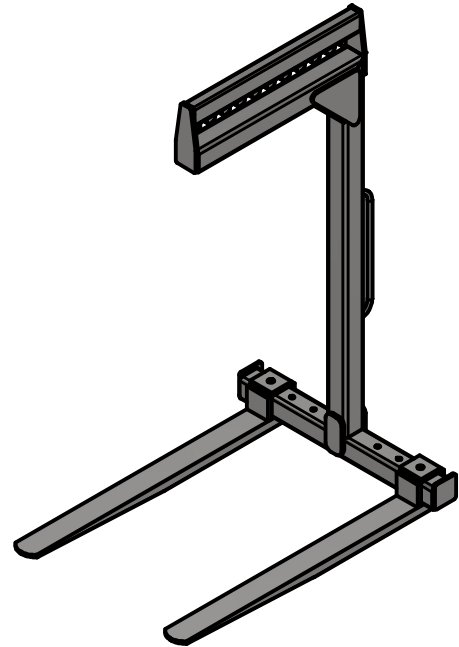
The Bremco Crane Lift Pallet Hook 1T is designed for the overhead lifting of palletized goods by Crane Truck or Gantry Cranes and is typically used in the construction industry to move products such as bricks, blocks, timber, cement and tiles.

These units have a load balancing slip-ring that can be positioned to suit the centre of gravity on the lifted load, and adjustable forks are standard with our units, allowing fast adjustment for the operator.

**This unit is also available in...**

**WLL 2000 Kg**

**WLL 3500 Kg**



FINISH: Yellow - Black Tynes

WLL: 1000Kg

HCoG: N/A

VCoG: N/A

TARE: 127kg

STANDARDS: AS4991

### NOTES:

**SPECIFICATIONS SUBJECT TO CHANGE WITHOUT NOTICE**

This document is the property of Bremco Metal Products P/L. It must not be copied or reproduced without the written consent of the company.

BREMCO METAL PRODUCTS

BMP 037-1t

DRAWING #:

037-SPEC

SHEET #:

1 of 1

DATE #:

2/03/2018

REVISION :

A

# BMP037-2T - Crane lift pallet hook

www.bremco.com.au



## Product Description

The Bremco Crane Lift Pallet Hook 2T is designed for the overhead lifting of palletised goods by Crane Truck or Gantry Cranes and is typically used in the construction industry to move products such as bricks, blocks, timber, cement and tiles.

These units have a load balancing slip-ring that can be positioned to suit the centre of gravity on the lifted load, and adjustable forks are standard with our units, allowing fast adjustment for the operator.

## Specifications

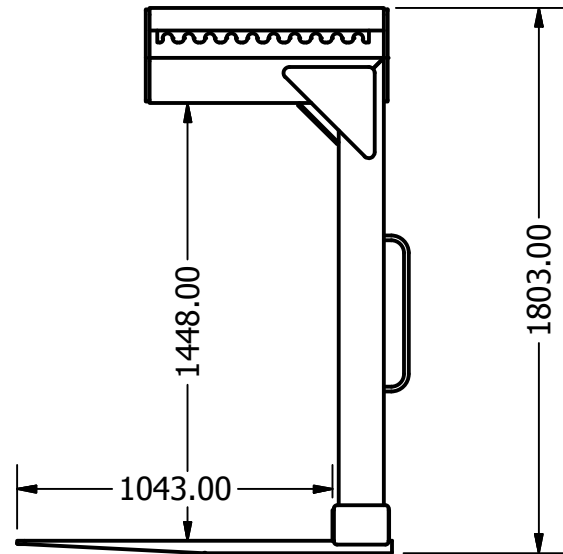
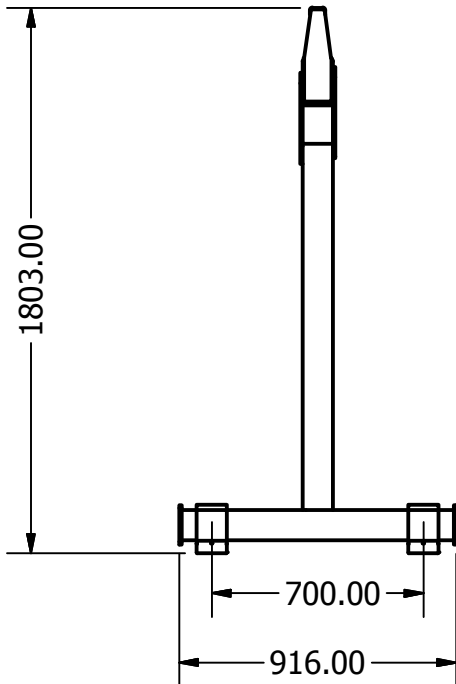
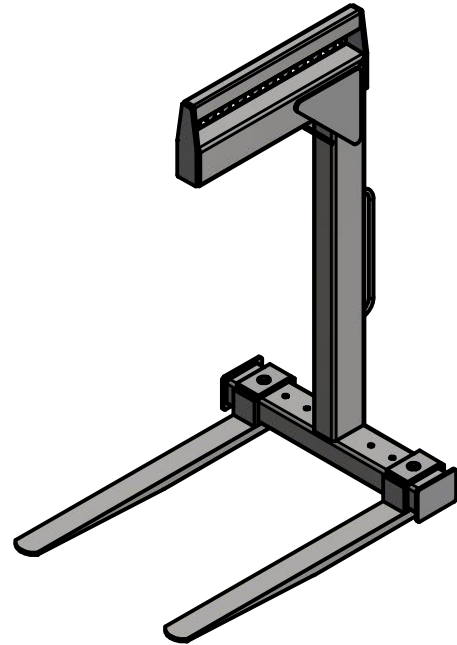
Tyne Dims 130mm x 40mm

Tyne Length 1055mm

Complies with AS4991

Supplied with compliance plate & serial number

Painted enamel finish



FINISH: Yellow - Black Tyne

WLL: 2000Kg

HCoG: N/A

VCoG: N/A

TARE: 230 kg

STANDARDS: AS4991

### NOTES:

**SPECIFICATIONS SUBJECT TO CHANGE WITHOUT NOTICE**

This document is the property of Bremco Metal Products P/L.

It must not be copied or reproduced without the written consent of the company.

BREMCO METAL PRODUCTS

BMP 037-2t

DRAWING #:

037-SPEC

SHEET #:

1 of 1

DATE #:

2/03/2018

REVISION:

A

# BMP037-3.5T - Crane lift pallet hook

www.bremco.com.au



## Product Description

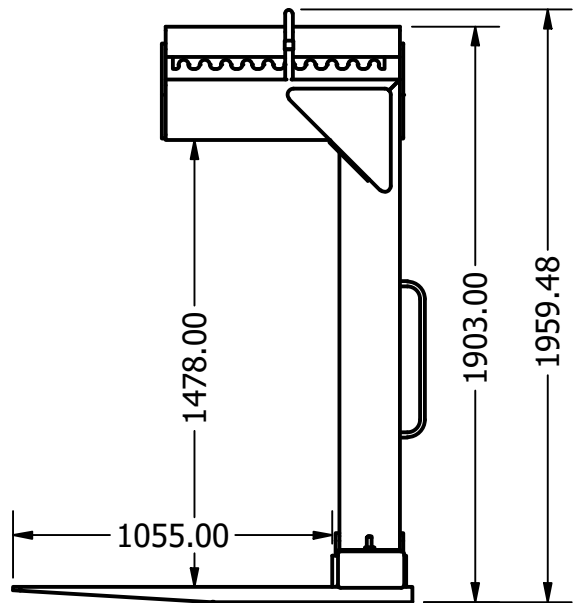
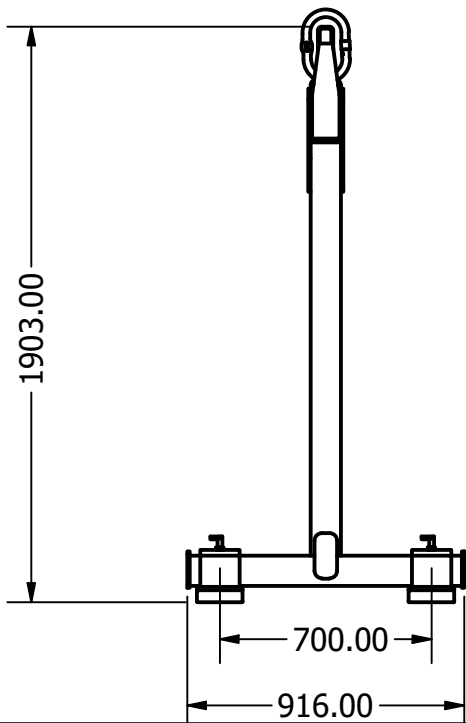
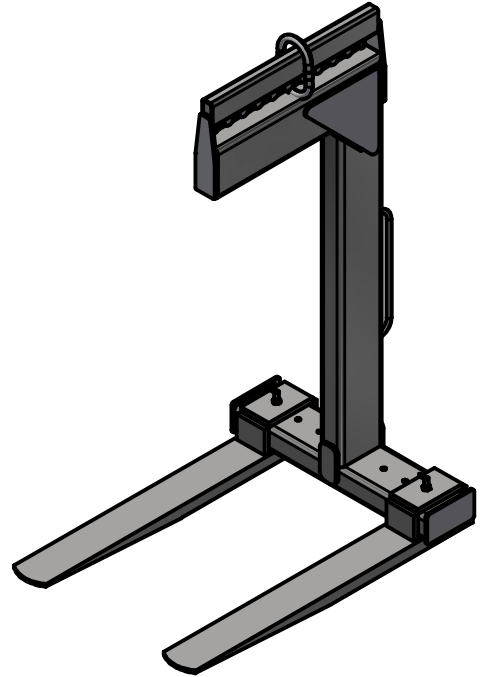
The Bremco Crane Lift Pallet Hook 3.5T is designed for the overhead lifting of palletized goods by Crane Truck or Gantry Cranes and is typically used in the construction industry to move products such as bricks, blocks, timber, cement and tiles.

These units have a load balancing slip-ring that can be positioned to suit the centre of gravity on the lifted load, and adjustable forks are standard with our units, allowing fast adjustment for the operator.

**This unit is also available in...**

**WLL 1000 Kg**

**WLL 2000 Kg**



**FINISH:** Yellow - Black Tynes

**WLL:** 3500Kg

**HCoG:** N/A

**VCoG:** N/A

**TARE:** 340kg

**STANDARDS:** AS4991

### NOTES:

**SPECIFICATIONS SUBJECT TO CHANGE WITHOUT NOTICE**

This document is the property of Bremco Metal Products P/L. It must not be copied or reproduced without the written consent of the company.

**BREMCO METAL PRODUCTS**

**BMP 037-3.5t**

**DRAWING #:**

**037-3.5-SPEC**

**SHEET #:**

**1 of 1**

**DATE #:**

**2/03/2018**

**REVISION :**

**A**