

BMP 047 - Scrap Hopper Bin

www.bremco.com.au



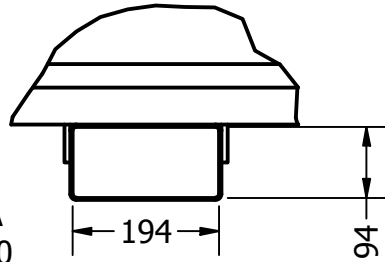
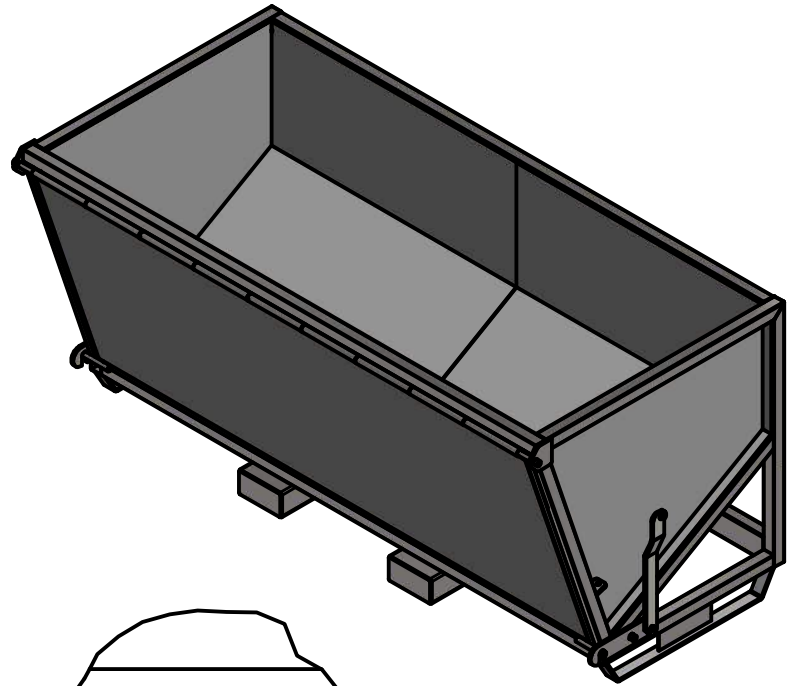
Product Description

Made in our Australian Factory

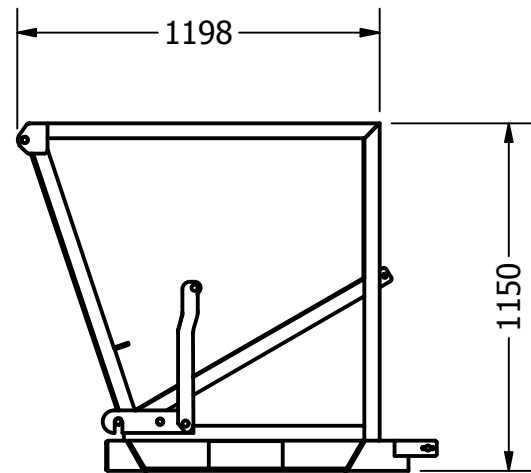
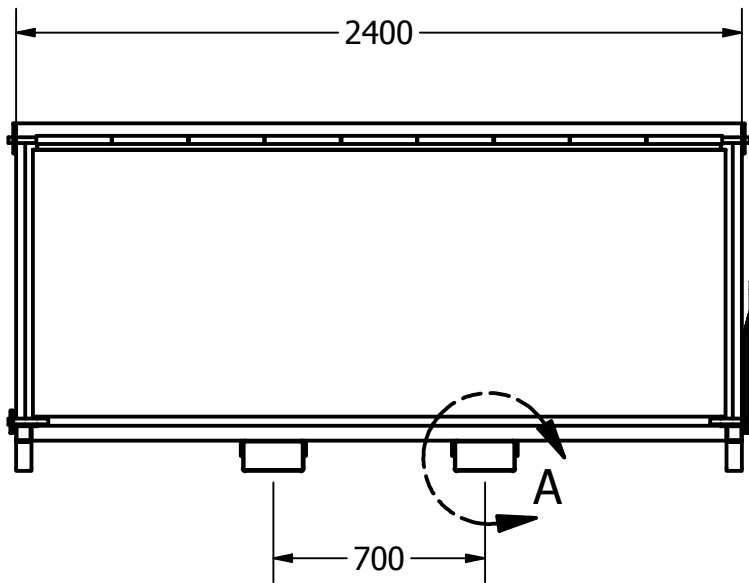
Store and dump your scrap metal or timber waste on site with the Bremco Scrap Hopper Bin.

The tapered floor of the unit ensures product is dispersed efficiently into larger bins. This comes with our tried and tested spring loaded latch mechanism which allows for easy dispensing of product.

The unit can also be fitted with heavy duty castor wheels to allow manual movement as an additional extra.



DETAIL A
SCALE 1:10



FINISH: Powder Coat

WLL: 2000Kg

HCoG: 660

VCoG: 456

TARE: 187.157 kg

STANDARDS: AS 2359

NOTES:

SPECIFICATIONS SUBJECT TO CHANGE WITHOUT NOTICE

This document is the property of Bremco Metal Products P/L. It must not be copied or reproduced without the written consent of the company.

BREMCO METAL PRODUCTS

BMP047

DRAWING #:

047-SPEC

SHEET #:

1 of 1

DATE #:

23/08/2019

REVISION:

A