

BMP049-120 - FORKLIFT BUCKET ATTACHMENT

www.bremco.com.au

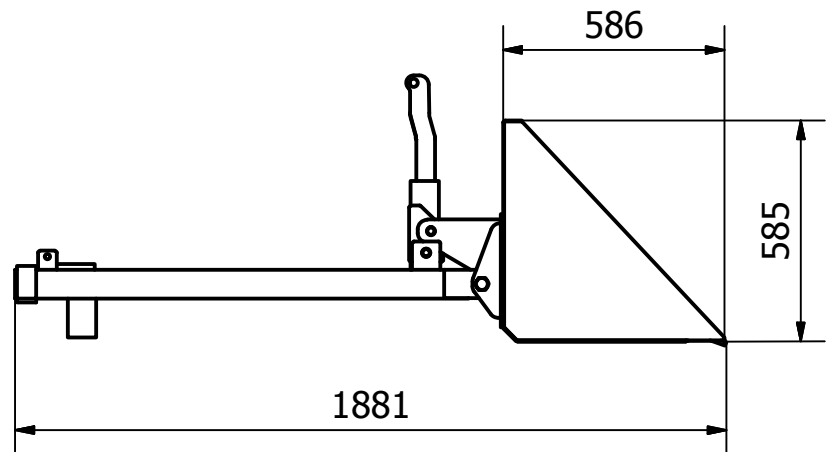
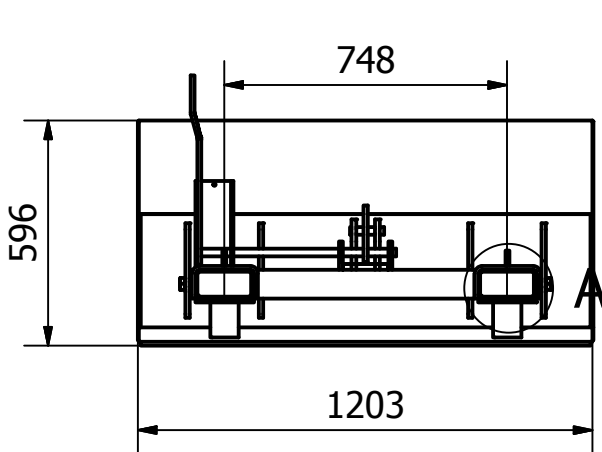
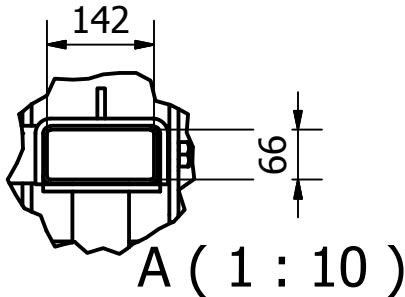
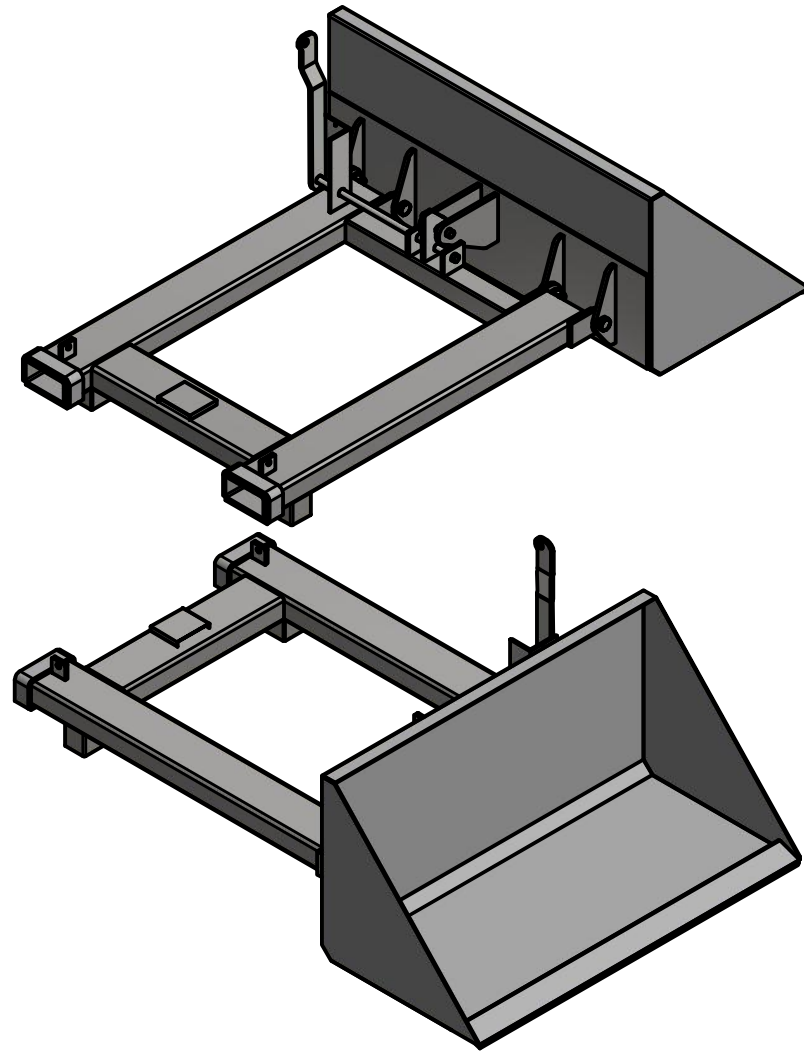
bremco
1300 273 626

Product Description

The Bremco Forklift Bucket Attachment converts a standard forklift into a front end loader with this simple attachment. This unit can be safely operated from the driver's seat of the forklift.

Specifications

- Tyne Pocket: 142mm x 66mm
- Tyne Pocket Centres: 748mm
- Finish: PAINTED ENAMEL
- NB: Compliance plate & serial number attached
- WLL: 500kg
- CAPACITY: 0.2 m3



FINISH: PAINTED ENAMEL

WLL: 500Kg

HCoG: 902

VCoG: 177

TARE: 105.671 kg

STANDARDS:

NOTES:

SPECIFICATIONS SUBJECT TO CHANGE WITHOUT NOTICE

This document is the property of Bremco Metal Products P/L. It must not be copied or reproduced without the written consent of the company.

BREMCO METAL PRODUCTS

049-1200

DRAWING #: 049-120

SHEET #: 1 of 1

DATE: 4/08/2017

REVISION: A

BMP049-150 - FORKLIFT BUCKET ATTACHMENT

www.bremco.com.au

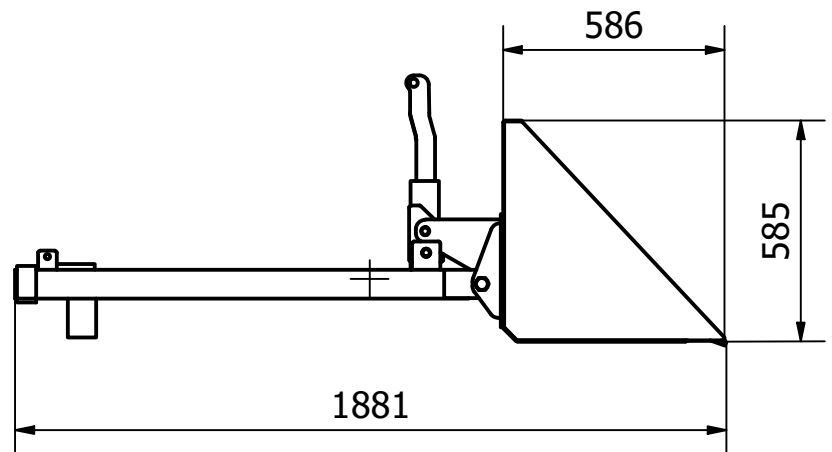
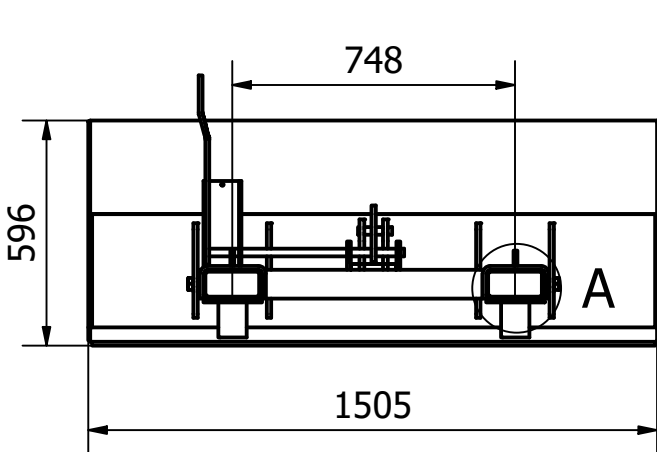
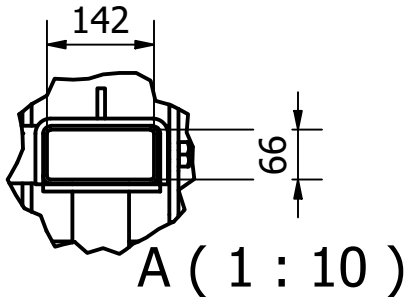
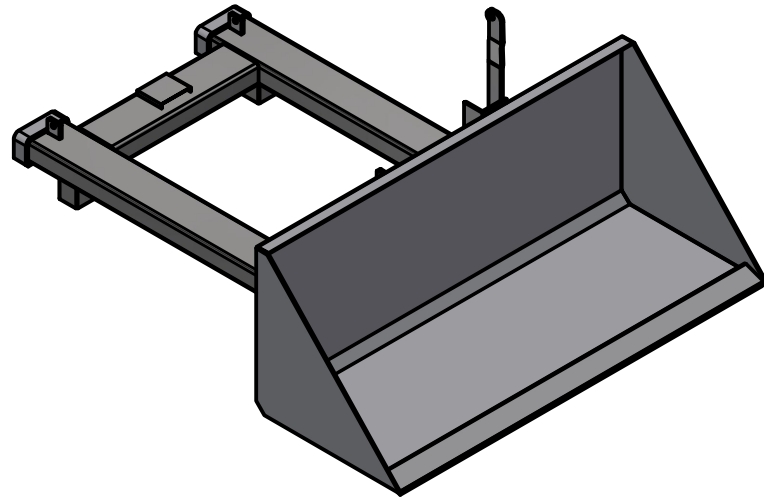
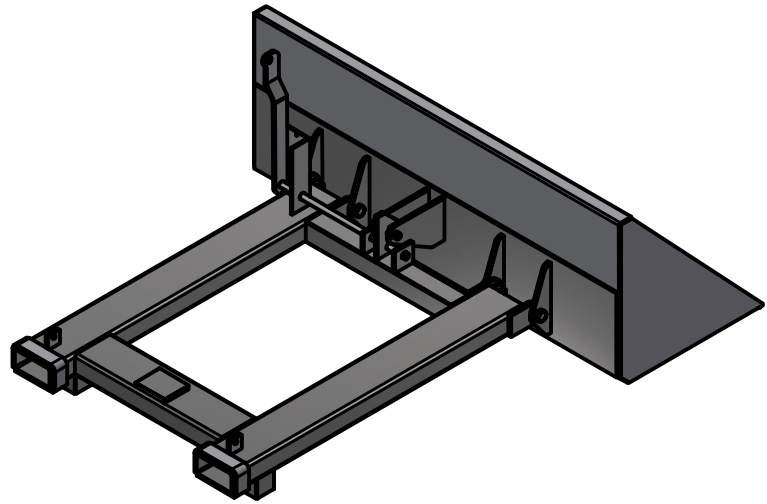


Product Description

The Bremco Forklift Bucket Attachment converts a standard forklift into a front end loader with this simple attachment. This unit can be safely operated from the driver's seat of the forklift.

Specifications

- Tyne Pocket: 142mm x 66mm
- Tyne Pocket Centres: 748mm
- Finish: POWDER COAT YELLOW & BLACK
- NB: Compliance plate & serial number attached
- WLL: 500kg
- CAPACITY: 0.25 m3



FINISH: PAINTED ENAMEL

WLL: 500Kg

HCoG: 937

VCoG: 166

TARE: 171Kg

STANDARDS: AS 2359

NOTES:

SPECIFICATIONS SUBJECT TO CHANGE WITHOUT NOTICE

This document is the property of Bremco Metal Products P/L. It must not be copied or reproduced without the written consent of the company.

BREMCO METAL PRODUCTS

049-1500

DRAWING #: 049-150-SPEC

SHEET #: 1 of 1

DATE: 4/08/2017

REVISION: B