

BMP054 - FORKLIFT SPREADER WITH HEADBOARD

www.bremco.com.au

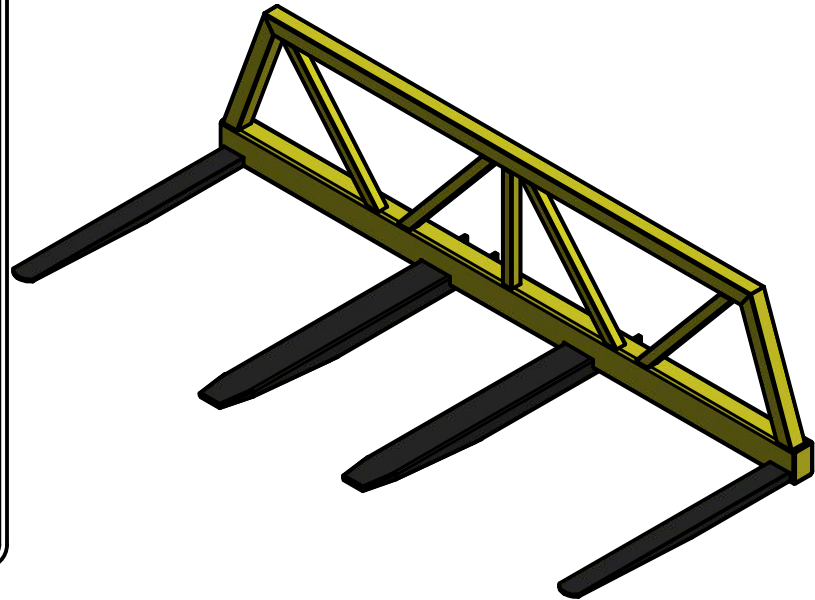


Product Description

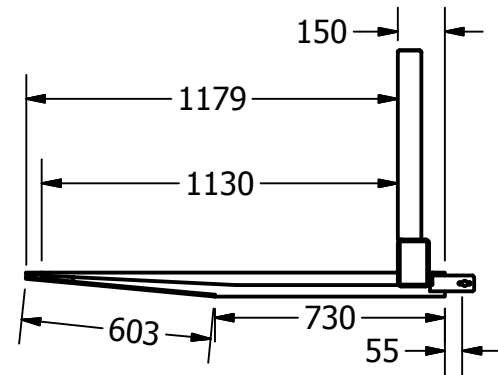
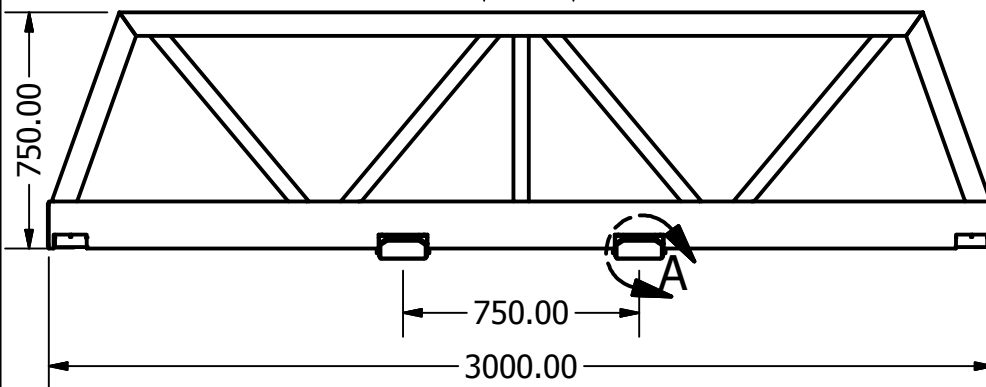
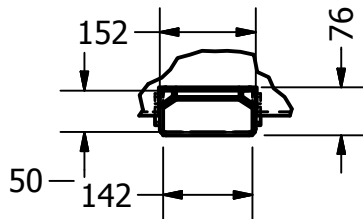
Made in our Australian Factory
 The Bremco Forklift Spreader Beam (with headboard) carries wide loads without damaging the product. This unit features a rear headboard welded into the frame.

Specifications

- WLL: 2500kg
- HCoG: 321mm
- VCoG: 94mm
- Tyre Dimensions: 142mm x 50mm
- Tyre Centres: 750mm
- Finish: SAFETY YELLOW
- NB: Compliance plate attached



DETAIL A
 SCALE 1:12



FINISH: SAFETY YELLOW

WLL: 2500 Kgs

HCoG: 321

VCoG: 94

TARE: 197.245 kg

STANDARDS:

NOTES:

SPECIFICATIONS SUBJECT TO CHANGE WITHOUT NOTICE

This document is the property of Bremco Metal Products P/L. It must not be copied or reproduced without the written consent of the company.

BREMCO METAL PRODUCTS

BMP054 - FORKLIFT SPREADER

DRAWING #:

BMP054-SPEC 16/02/2018

SHEET #:

1 of 1

DATE #:

REVISION:

A