

BMP055 - FORKLIFT SPREADER

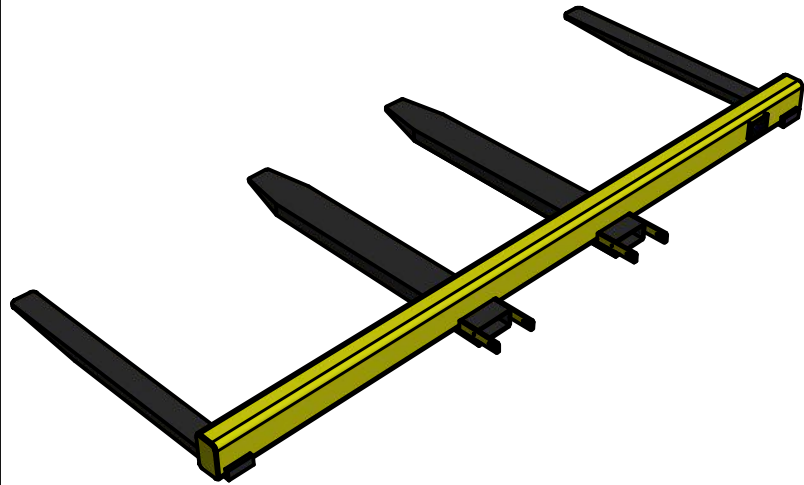
www.bremco.com.au



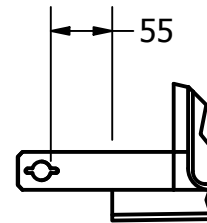
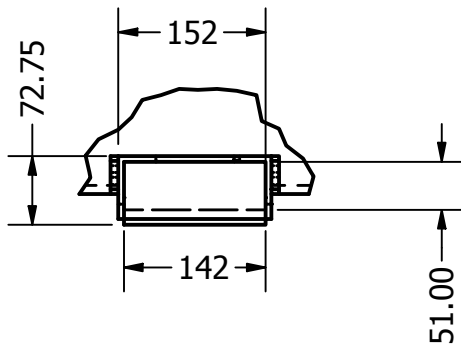
Product Description

Made in our Australian Factory

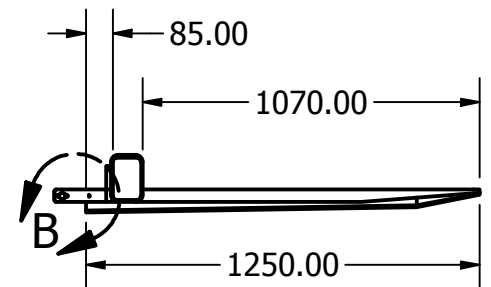
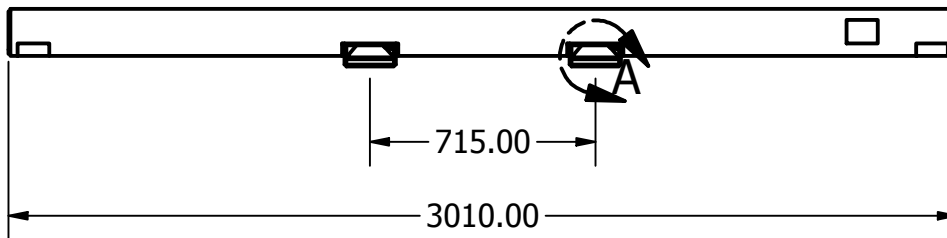
Bremco's Forklift Spreader (no headboard) turns your forklift truck into a wide-load carrier with the slip on spreader. This unit allows the operator to carry wide loads safely and without damaging the product



DETAIL A
SCALE 1:8



DETAIL B
SCALE 1:8



FINISH: SAFETY YELLOW

WLL: 2500 Kgs

HCoG: 389

VCoG: 76

TARE: 202.112 kg

STANDARDS: AS 2359

NOTES:

SPECIFICATIONS SUBJECT TO CHANGE WITHOUT NOTICE

This document is the property of Bremco Metal Products P/L. It must not be copied or reproduced without the written consent of the company.

BREMCO METAL PRODUCTS

BMP055 - FORKLIFT SPREADER

DRAWING #:

055-SPEC

SHEET #:

1 of 1

DATE #:

16/02/2018

REVISION:

A