

BMP 056 - Waste Hopper

www.bremco.com.au



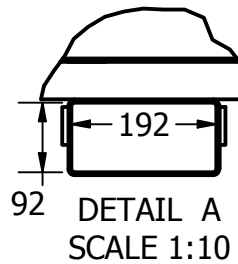
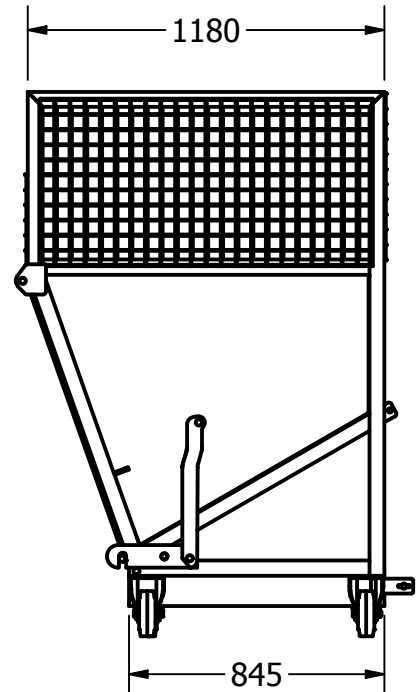
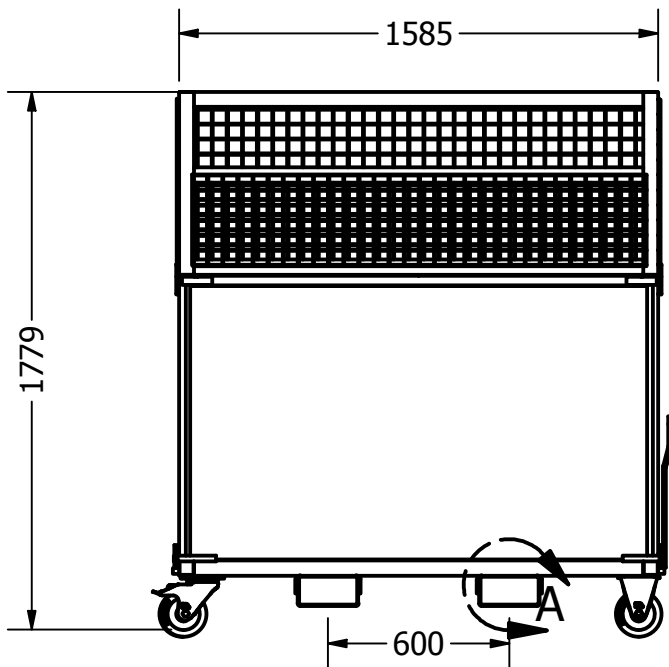
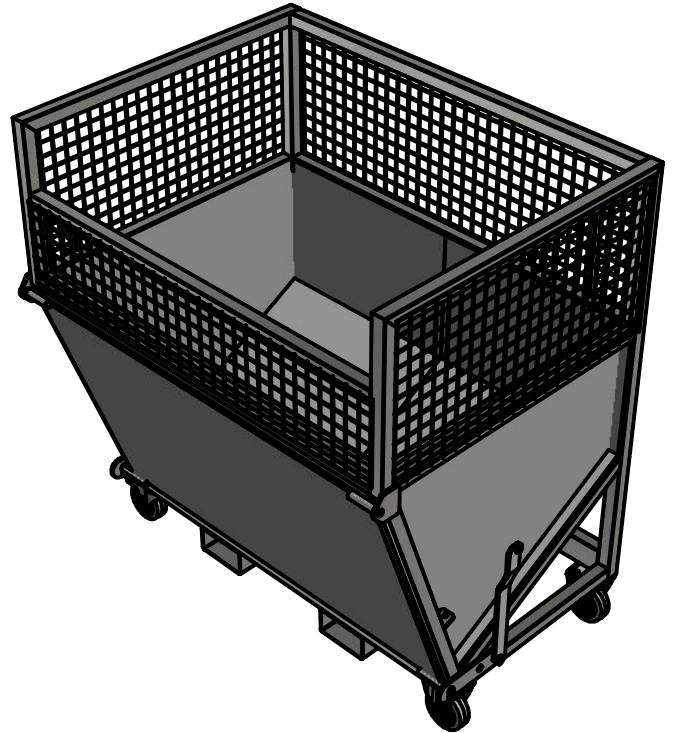
Product Description

Made in our Australian Factory

Store and dump your Paper, cardboard or clothing material waste on site with the Bremco Scrap Hopper Bin.

The tapered floor of the unit ensures product is dispersed efficiently into larger bins. This comes with our tried and tested spring loaded latch mechanism which allows for easy dispensing of product.

The unit is also be fitted with heavy duty castor wheels to allow manual movement.



FINISH: Powder Coat

WLL: 750Kg

HCoG: 557

VCoG: 573

TARE: 171.174 kg

STANDARDS: AS 2359

NOTES:

SPECIFICATIONS SUBJECT TO CHANGE WITHOUT NOTICE

This document is the property of Bremco Metal Products P/L. It must not be copied or reproduced without the written consent of the company.

BREMCO METAL PRODUCTS

BMP056

DRAWING #:

056-SPEC

SHEET #:

1 of 1

DATE #:

23/08/2019

REVISION:

A