

BMP 076 TOW BALL ADAPTOR

www.bremco.com.au



bremco
1300 273 626

Product Description

Bremco's Forklift Towball Attachment provides a way of using your forklift for light duty lifting or pulling which may otherwise be difficult and awkward to achieve.

Fitted with a hayman reese style hitch, this provides a flexible option for towing.

Specifications

Size: 1365mmD x 790mmW x 285mmH

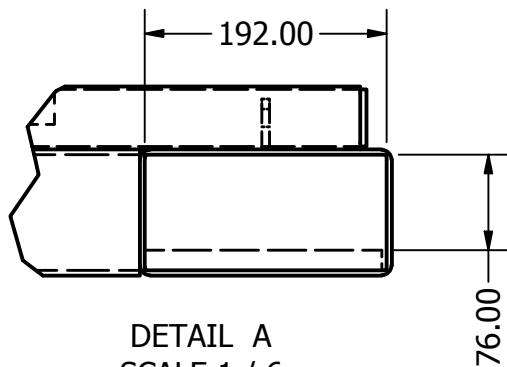
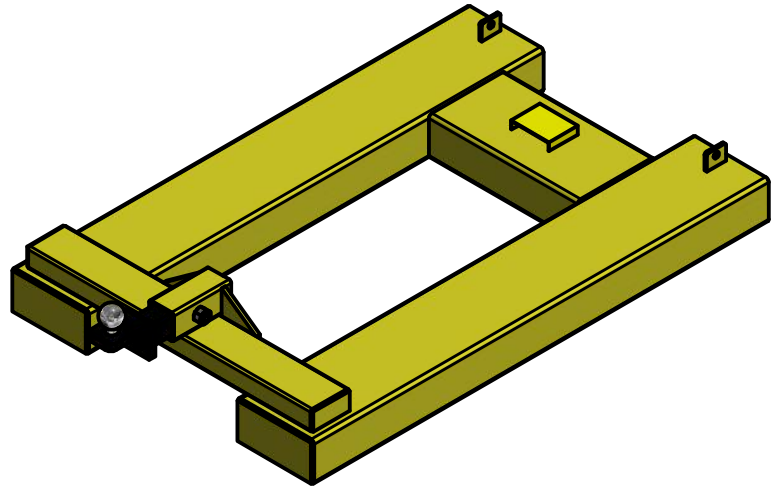
Wll: 250kg

Weight: 67kg

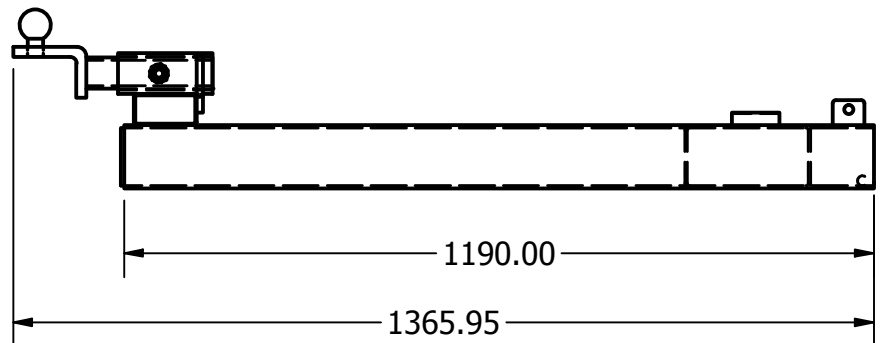
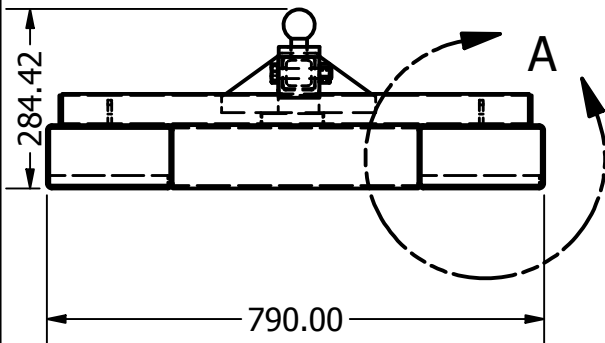
Finish: powder coated safety yellow

Tyne Pockets: 180mm x 65mm

Supplied with compliance plate and serial number



DETAIL A
SCALE 1 / 6



FINISH: SAFETY YELLOW

WLL: 250

HCoG: 628

VCoG: 64

TARE: 60.202 kg

STANDARDS: AS 2359

NOTES:

SPECIFICATIONS SUBJECT TO CHANGE WITHOUT NOTICE

This document is the property of Bremco Metal Products P/L. It must not be copied or reproduced without the written consent of the company.

BREMCO METAL PRODUCTS

BMP 076

DRAWING #:

076-SPEC

SHEET #:

1 of 1

DATE #:

15/02/2019

REVISION :

A