

BMP079-2B - FORKLIFT 2 WHEELIE BIN TIPPER

www.bremco.com.au

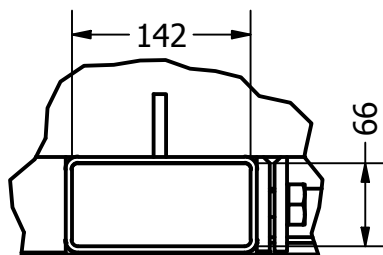
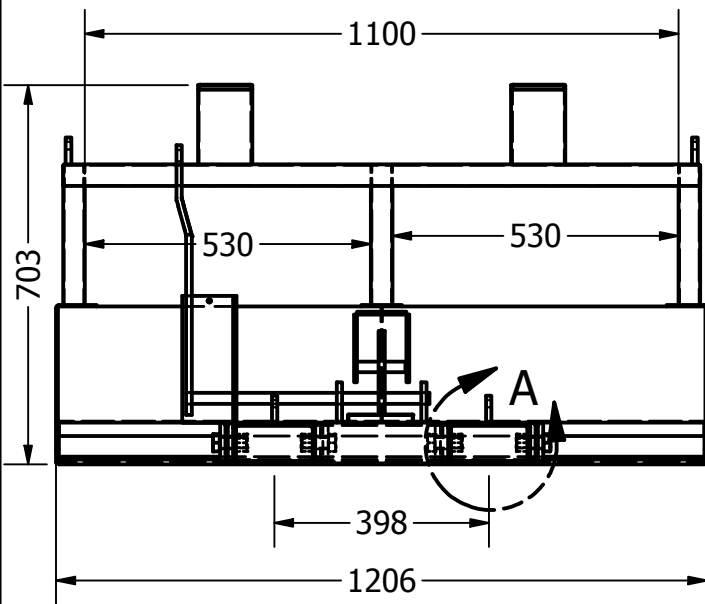
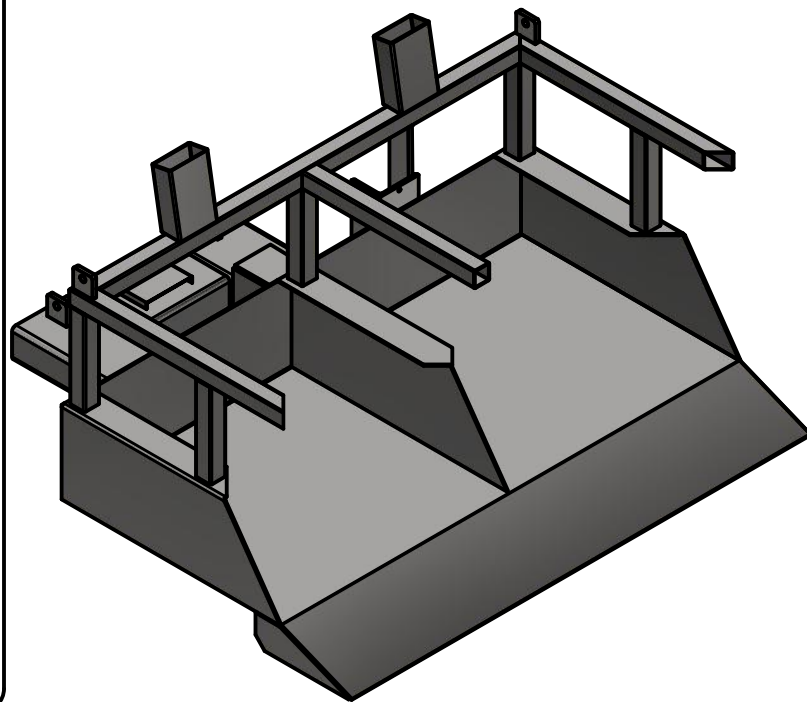
bremco
1300 273 626

Product Description

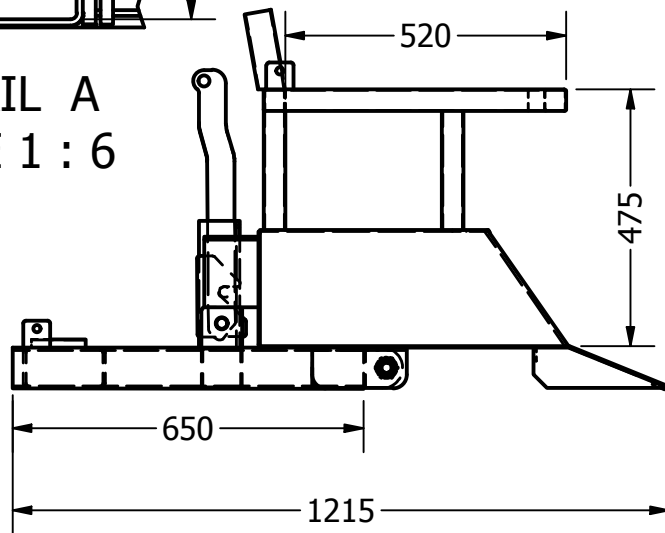
Made in our Australian Factory

Using your forklift to empty your wheelie bins has never been easier with Bremco's Forklift Wheelie Bin Tipper - 2 Bin Tipper slip on forklift attachment.

To ensure safe operation, a steel locator plate and ratchet assembly allows the bin to be positioned properly in the tipper. This attachment is controlled right from the driver's seat by a latch mechanism.



DETAIL A
SCALE 1 : 6



FINISH: GREY

WLL: 500KG

HCoG: 568

VCoG: 176

TARE: 94.326 kg

STANDARDS: AS 2359

NOTES:

SPECIFICATIONS SUBJECT TO CHANGE WITHOUT NOTICE

This document is the property of Bremco Metal Products P/L. It must not be copied or reproduced without the written consent of the company.

BREMCO METAL PRODUCTS

BMP079-2B

DRAWING #:

079-2B

SHEET #:

1 of 1

DATE #:

13/08/2018

REVISION:

A