

# BMP079-BB - Forklift 660L Bin Tipper

www.bremco.com.au

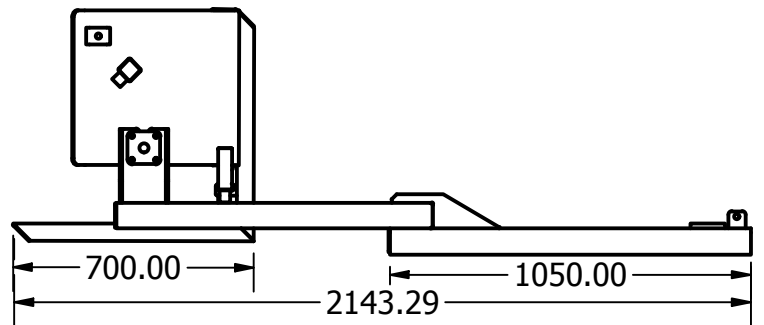
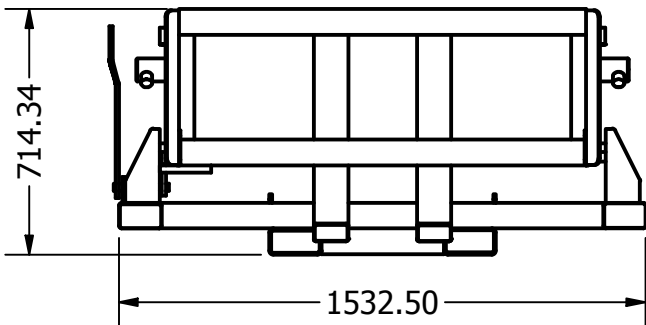
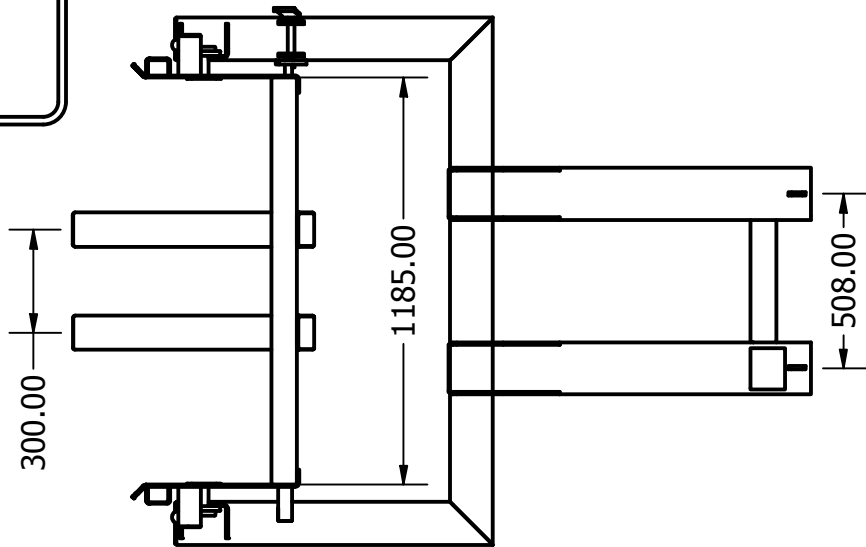
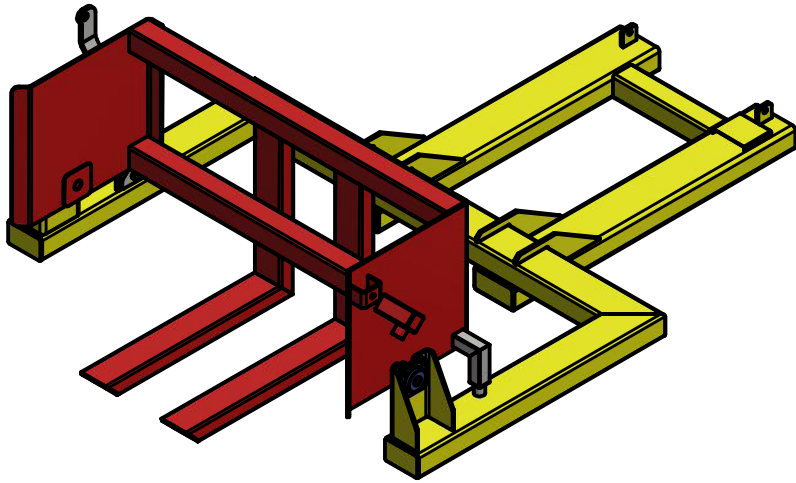


## Product Description

Made in our Australian Factory  
Using your forklift to empty your dumpster bins has never been easier with Bremco's Forklift Bin Tipper - 660L Bin Tipper slip on forklift attachment.

To ensure safe operation, a steel locator plate and ratchet assembly allows the bin to be positioned properly in the tipper.

This attachment is controlled right from the driver's seat by a latch mechanism.



FINISH: P/C

WLL: 500Kg

HCoG: 1204

VCoG: 214

TARE: 157.859 kg

STANDARDS: AS 2359

### NOTES:

**SPECIFICATIONS SUBJECT TO CHANGE WITHOUT NOTICE**

This document is the property of Bremco Metal Products P/L. It must not be copied or reproduced without the written consent of the company.

BREMCO METAL PRODUCTS

BMP079-BB

DRAWING #:

079-BB

SHEET #:

1 of 1

DATE #:

11/06/2019

REVISION:

A