

BMP079-1B - SINGLE WHEELIE BIN TIPPER

www.bremco.com.au

bremco
1300 273 626

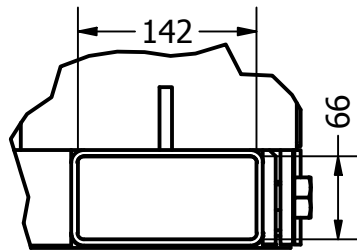
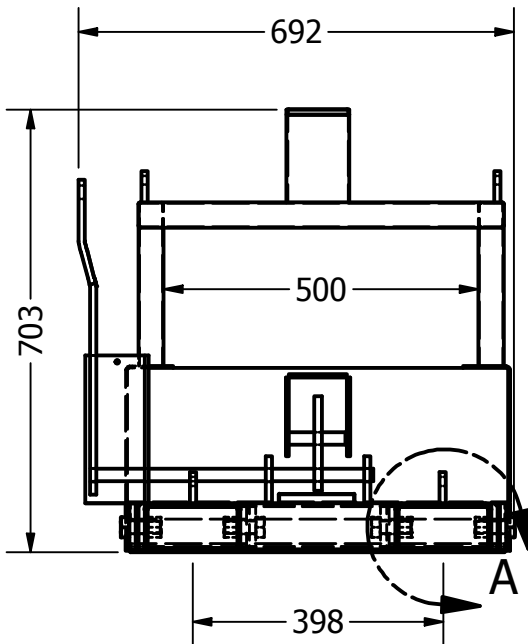
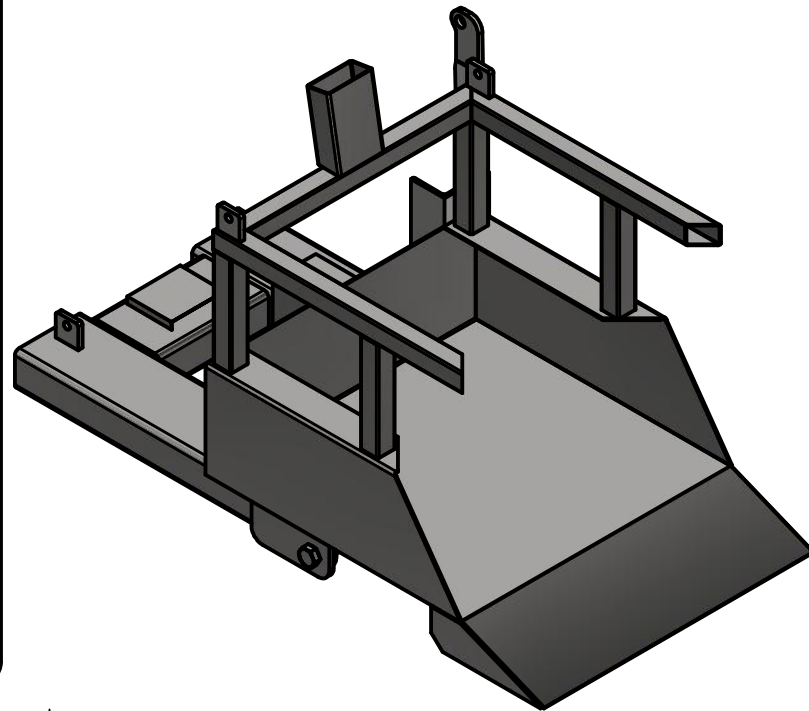
Product Description

Made in our Australian Factory

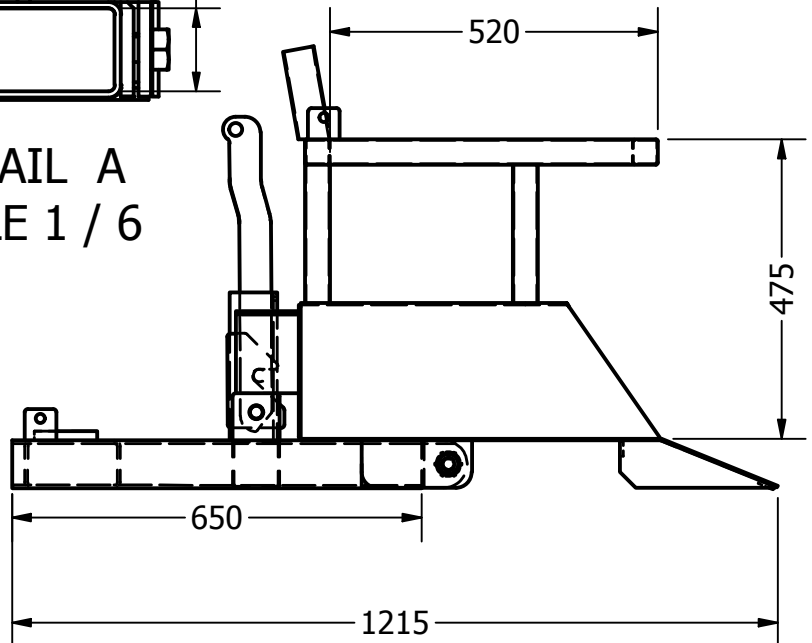
Empty your wheelie bins with ease using this Forklift Single Wheelie Bin Tipper slip on forklift attachment.

This unit comes in three versions - a single, double or bulki bin model. The bin is positioned in the tipper using a ratchet assembly and a steel locator plate for safe operation.

The latch mechanism allows control from the driver's seat.



DETAIL A
SCALE 1 / 6



FINISH: SAFETY YELLOW

WLL: 300 KG

HCoG: 580

VCoG: 165

TARE: 73.201 kg

STANDARDS: AS 2359

NOTES:

SPECIFICATIONS SUBJECT TO CHANGE WITHOUT NOTICE

This document is the property of Bremco Metal Products P/L. It must not be copied or reproduced without the written consent of the company.

BREMCO METAL PRODUCTS

079-1B

DRAWING #:

079-1B

SHEET #:

1 of 1

DATE #:

12/08/2018

REVISION:

A