

BMP083- - HEAVY DUTY DRUM ROTATOR

www.bremco.com.au



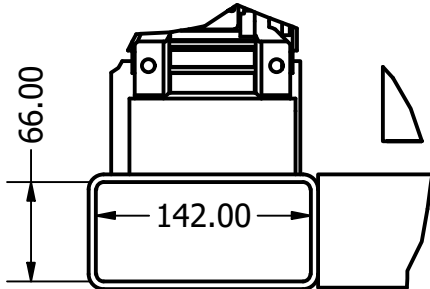
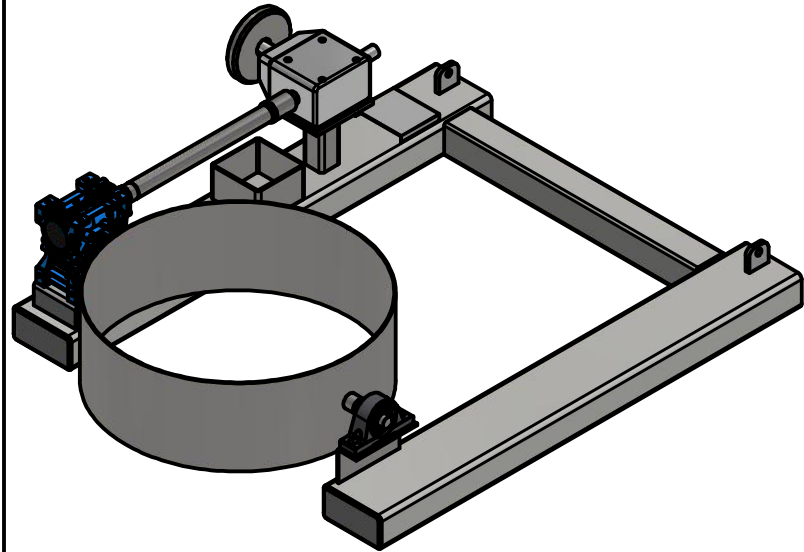
Product Description

Made in our Australian Factory
 Safely rotate and decant your drums with the Bremco Heavy Duty Forklift Drum Rotator.
 A unique, gear-driven attachment, this unit allows the operator to safely rotate and decant the contents of a standard 205 litre drum using the efficiency of a positive clamping system.

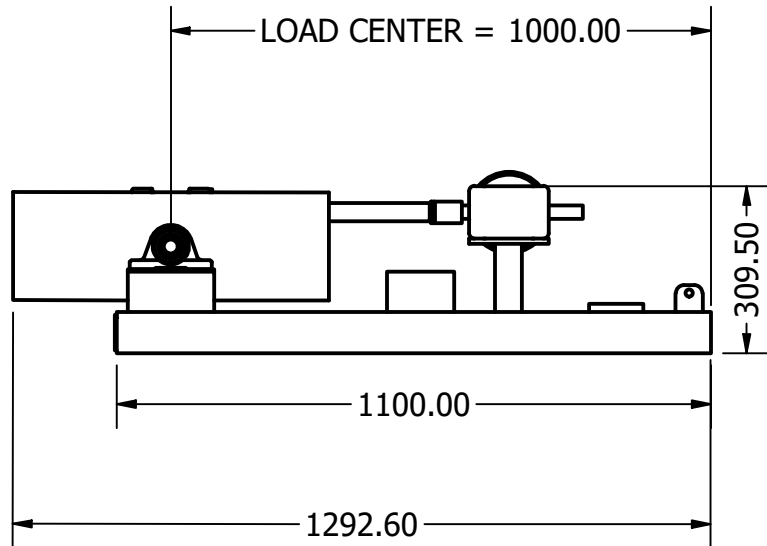
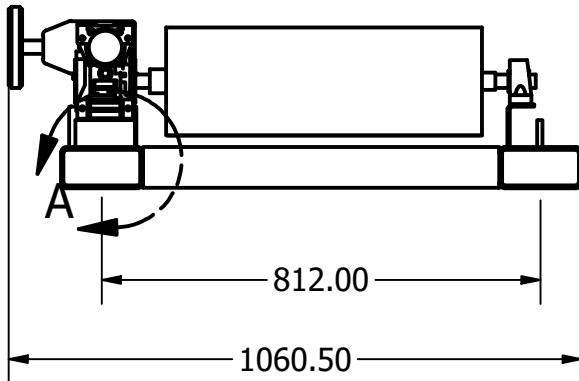
Please Note: not suitable for mixing paint.

Specifications

- WLL: 500kg
- HCoG: 626mm VCoG: 136mm
- Tyne Pockets: 142mm x 66mm
- Tyne Pocket Centres: 820mm
- Finish: painted enamel
- NB: Compliance plate attached



DETAIL A
 SCALE 1:5



FINISH: P/C - SAFETY YELLOW

WLL: 500kg

HCoG: 626

VCoG: 136

TARE: 89.836 kg

STANDARDS: AS2359

NOTES:

SPECIFICATIONS SUBJECT TO CHANGE WITHOUT NOTICE

This document is the property of Bremco Metal Products P/L.
 It must not be copied or reproduced without the written consent of the company.

BREMCO METAL PRODUCTS

BMP08

DRAWING #:

083-SPEC

SHEET #:

1 of 1

DATE #:

08-02-2019

REVISION:

B