

# BMP085 - HEAVY DUTY EXTENSION JIB

www.bremco.com.au



## DESCRIPTION

Convert your forklift for some intense lifting. The Heavy Duty Extension Jib is designed for the heavier range of forklift, for handling large unpalletised loads, with the added flexibility of a multi-adjustable extension.

## SPECIFICATIONS

WLL: 5000kg at 1025mm HLC

1900kg at 2553mm HLC

HCoG: 867mm

VCoG: 343mm

Tyne Pockets: 190mm x 75mm

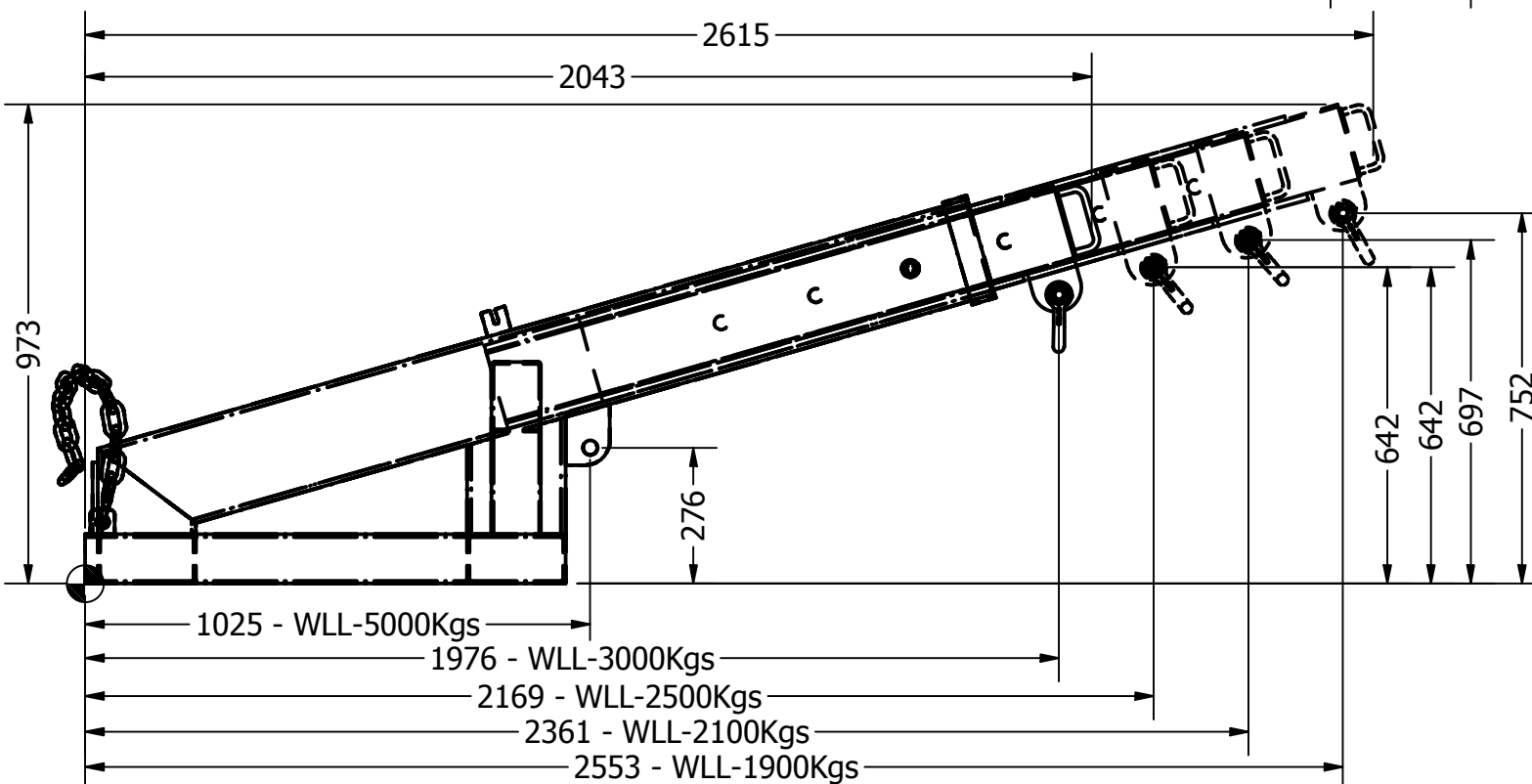
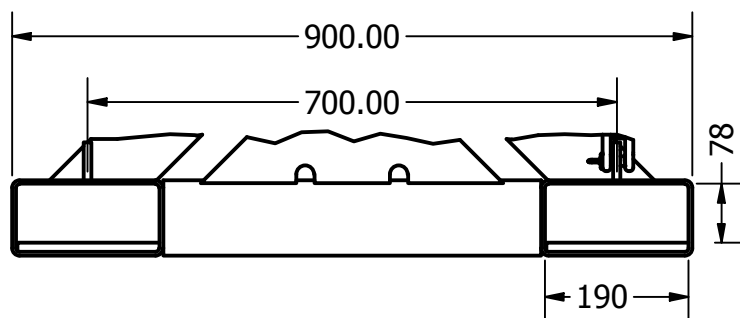
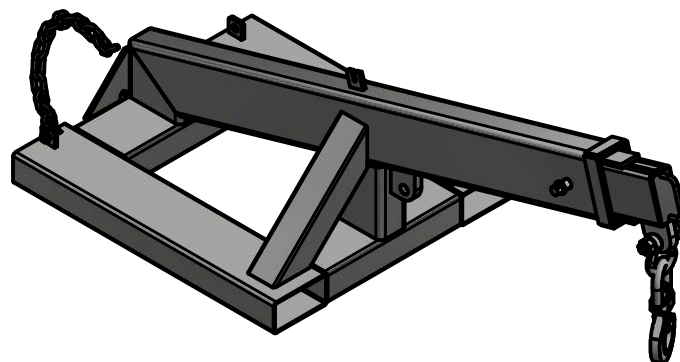
Tyne Pocket Centres: 700mm

Finish: hot dip galvanised

Extension Jib Range: 1976mm to 2553mm

NB: Compliance plate attached

Unit comes standard with Hook, Shackles & Pins



FINISH: HOT DIP GAL

WLL: SEE DRAWING

HCoG: 867

VCoG: 343

TARE: 206.371 kg

STANDARDS: AS2359

## NOTES:

**SPECIFICATIONS SUBJECT TO CHANGE WITHOUT NOTICE**

This document is the property of Bremco Metal Products P/L.

It must not be copied or reproduced without the written consent of the company.

BREMCO METAL PRODUCTS

BMP085

DRAWING #:

085-SPEC

SHEET #:

1 of 1

DATE #:

10/09/2018

REVISION:

A