

# BMP092-100 FORKLIFT BOTTOM DUMP BIN

www.bremco.com.au

**bremco**  
1300 273 626

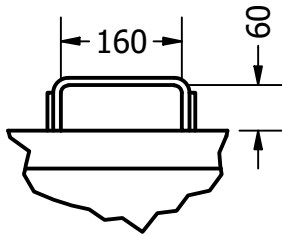
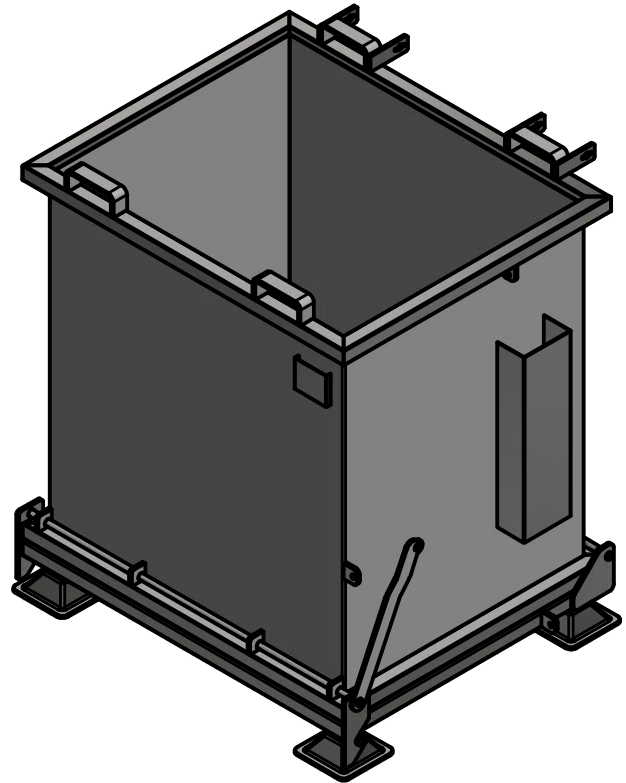
## Product Description

Made in our Australian Factory  
Bremco's Bottom Dump Bin allows you to move and dump waste effectively.

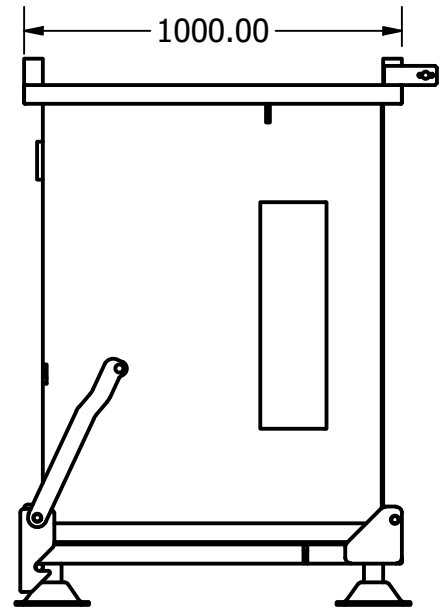
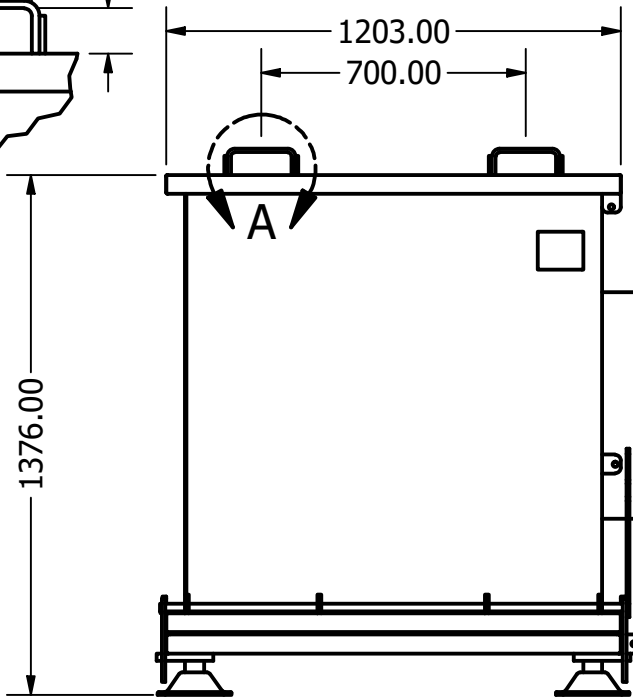
Take advantage of spring shock absorption and a clean product drop within a confined space with these two models.

The floor-drop allows solid waste to be easily dumped from the bin while lifted on the fork's tynes.

**This bin is also available in a 0.5 cubic metre option.**



DETAIL A  
SCALE 1 / 10



### NOTES:

**SPECIFICATIONS SUBJECT TO CHANGE WITHOUT NOTICE**

This document is the property of Bremco Metal Products P/L. It must not be copied or reproduced without the written consent of the company.

FINISH: GREY

WLL: 1000

HCoG: 472

VCoG: 378

TARE: N/A

STANDARDS: AS 2359

BREMCO METAL PRODUCTS

BMP092-100

DRAWING #:

092-100-SPEC

DATE #:

15/03/2019

SHEET #:

1 of 1

REVISION:

A