

BMP093 - SHORT EXTENSION JIB

www.bremco.com.au

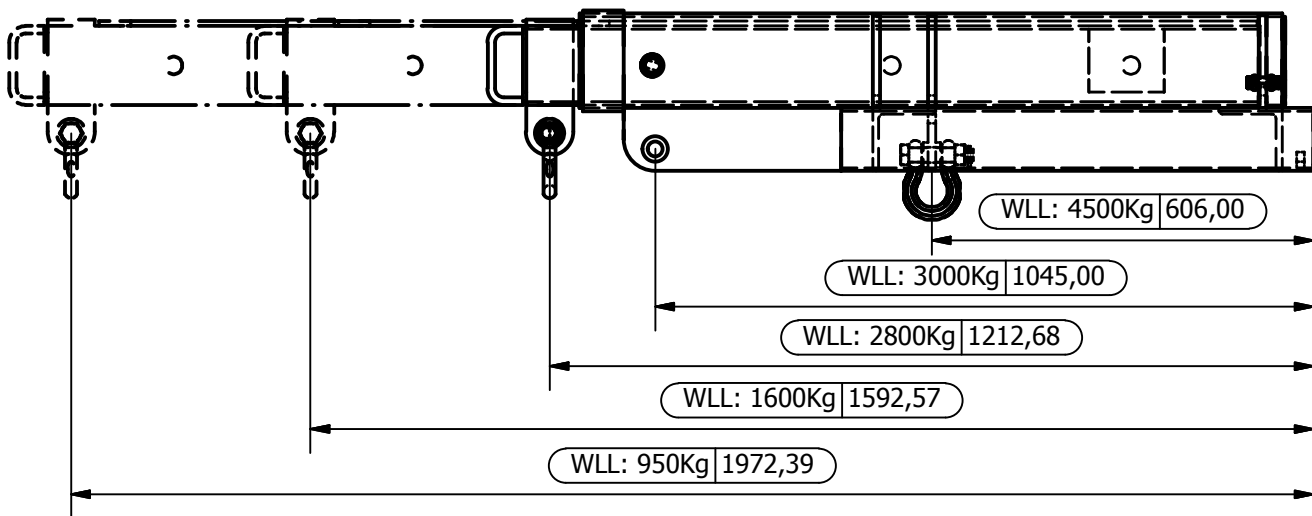
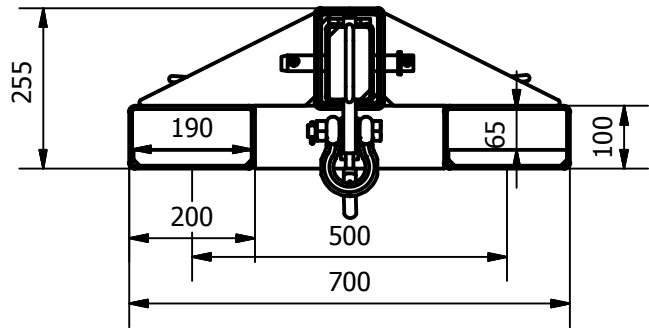
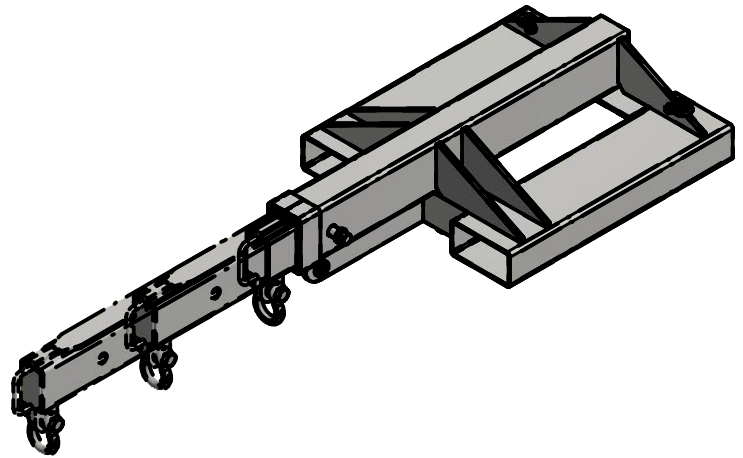


Product Description

Lift and place with accuracy with Bremco's Short Extension Jib.
 Designed for the transportation of long loads, which can be slung at greater centres than with a fixed jib due to the manual extension.

Specifications

- WLL: 3000kg at 1045mm HLC
- HLC: 600mm
- Tyne Pockets: 190mm x 65mm
- Tyne Pocket Centres: 500mm
- Finish: hot dip galvanised
- NB: Compliance plate attached
- Unit comes standard with Hook, Shackles & Pins



FINISH: HOT DIP GAL

WLL: AS SHOWN

HCoG: 538mm VCoG: 116mm

TARE: 108.852 kg

STANDARDS:

NOTES:

SPECIFICATIONS SUBJECT TO CHANGE WITHOUT NOTICE

This document is the property of Bremco Metal Products P/L. It must not be copied or reproduced without the written consent of the company.

BREMCO METAL PRODUCTS

BMP093-SHORT EXTENSION JIB

DRAWING #: 093 SPEC

SHEET #: 1 of 1

DATE: 4/08/2017

REVISION: A