

BMP110 CRANE LIFT BRICK CAGE

www.bremco.com.au



1300 273 626

Product Description

Lift pallets of bricks or similar products safely to work locations via overhead crane with the Bremco Brick Cage.

This unit is suitable for standard timber pallets and suitably ensures your site meets the requirements of Australian Standards AS4991. We can also custom fabricate a brick cage to your specific requirements. Contact the friendly Bremco team today for a quote or to place your order.

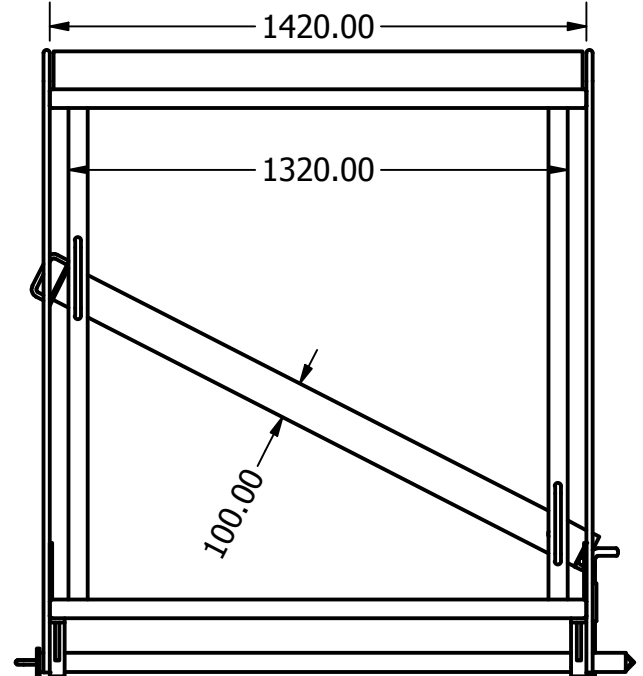
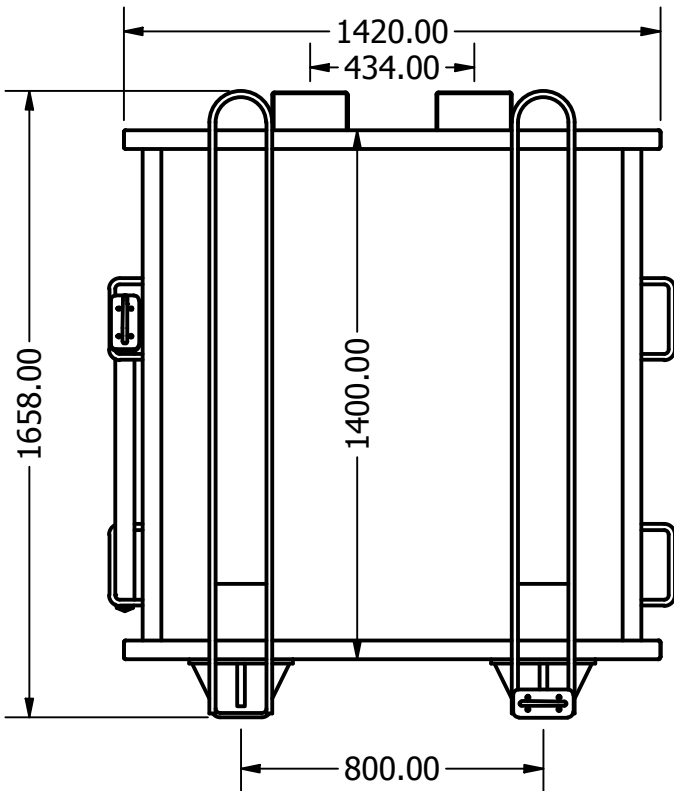
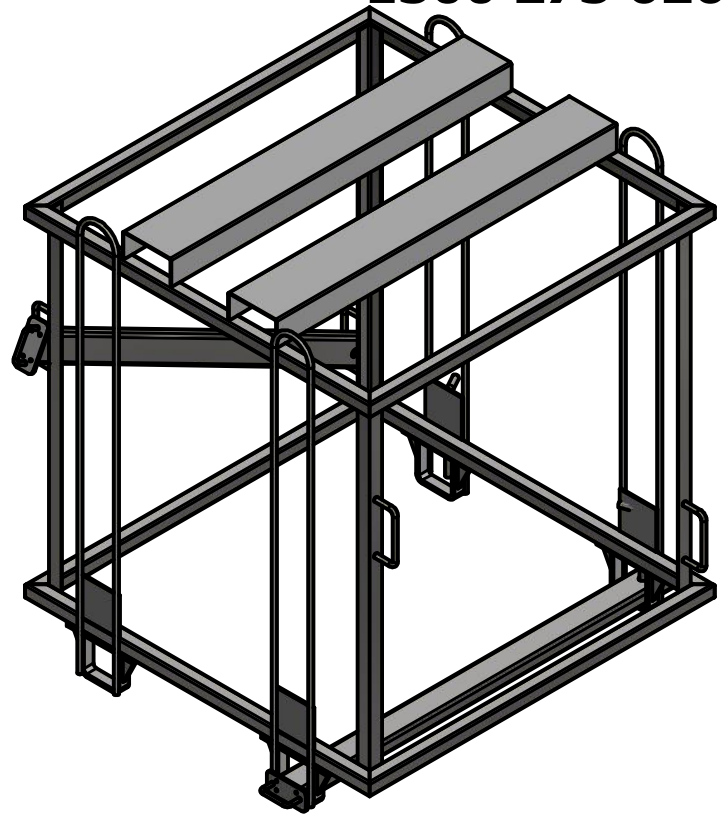
Specifications

WLL = 2000kg

Tyne Pocket Centres: 500mm

Finish: hot dip galvanised

Weight: 130 Kg



FINISH: GALVANISED

WLL: 2000KG

HCoG: 690

VCoG: 701

TARE: 111.429 kg

STANDARDS: AS 4991

NOTES:

SPECIFICATIONS SUBJECT TO CHANGE WITHOUT NOTICE

This document is the property of Bremco Metal Products P/L. It must not be copied or reproduced without the written consent of the company.

BREMCO METAL PRODUCTS

BMP110

DRAWING #:

110-SPEC

SHEET #:

1 of 1

DATE #:

29/03/2019

REVISION:

A