

BMP119 - FORKLIFT BROOM ATTACHMENT

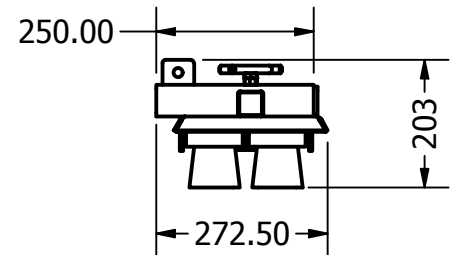
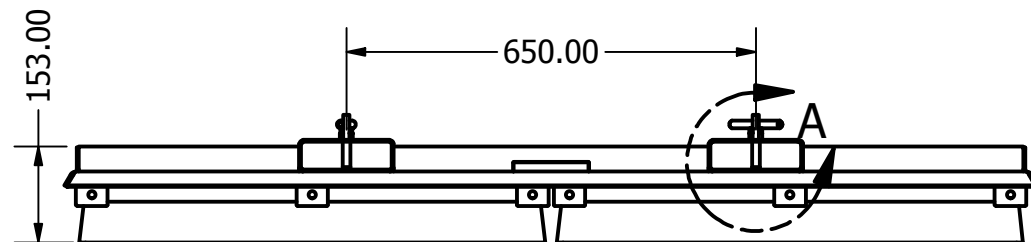
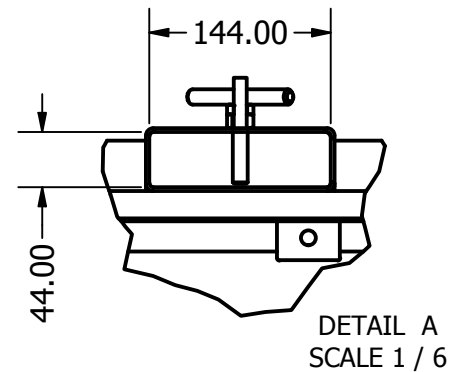
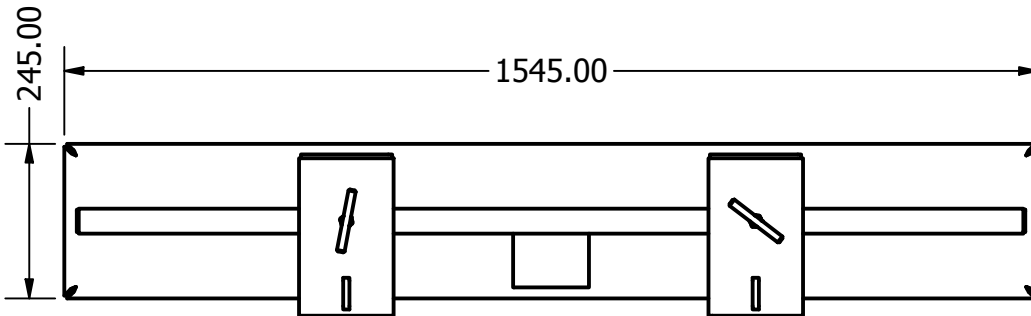
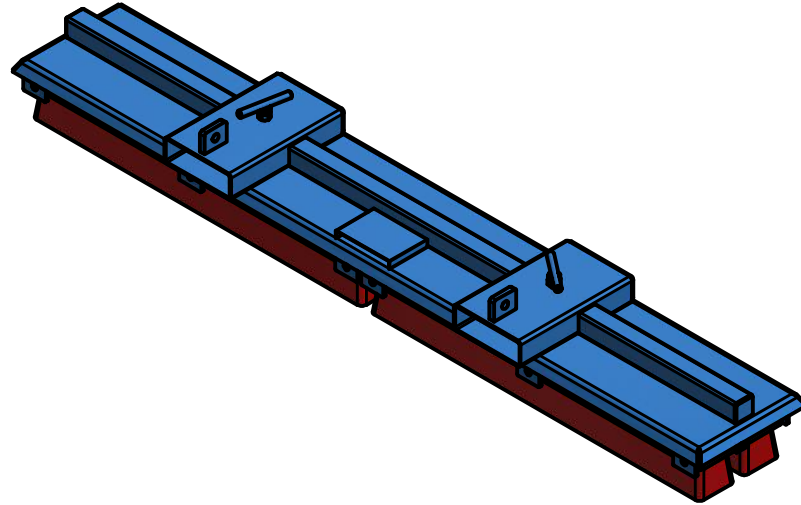
www.bremco.com.au

bremco
1300 273 626

Product Description

Made in our Australian Factory
Sweep areas contaminated by litter, cans, cartons and gravel with your forklift or tractor with the Bremco Forklift Broom Attachment. This slip on attachment is also designed to sweep or move grain, sand, rocks, glass, mud, leaf debris and many other materials.

The unit is designed with 8 rows of filament, graded PP gauges and positive brush retention for safe sweeping.
Refill brush units are available.



FINISH: P/C

WLL: N/A

HCoG: 149

VCoG: 38

TARE: 40.945 kg

STANDARDS: AS2359

NOTES:

SPECIFICATIONS SUBJECT TO CHANGE WITHOUT NOTICE

This document is the property of Bremco Metal Products P/L. It must not be copied or reproduced without the written consent of the company.

BREMCO METAL PRODUCTS

BMP119

DRAWING #: 119

SHEET #: 1 of 1

DATE #: 10/06/2019

REVISION: A